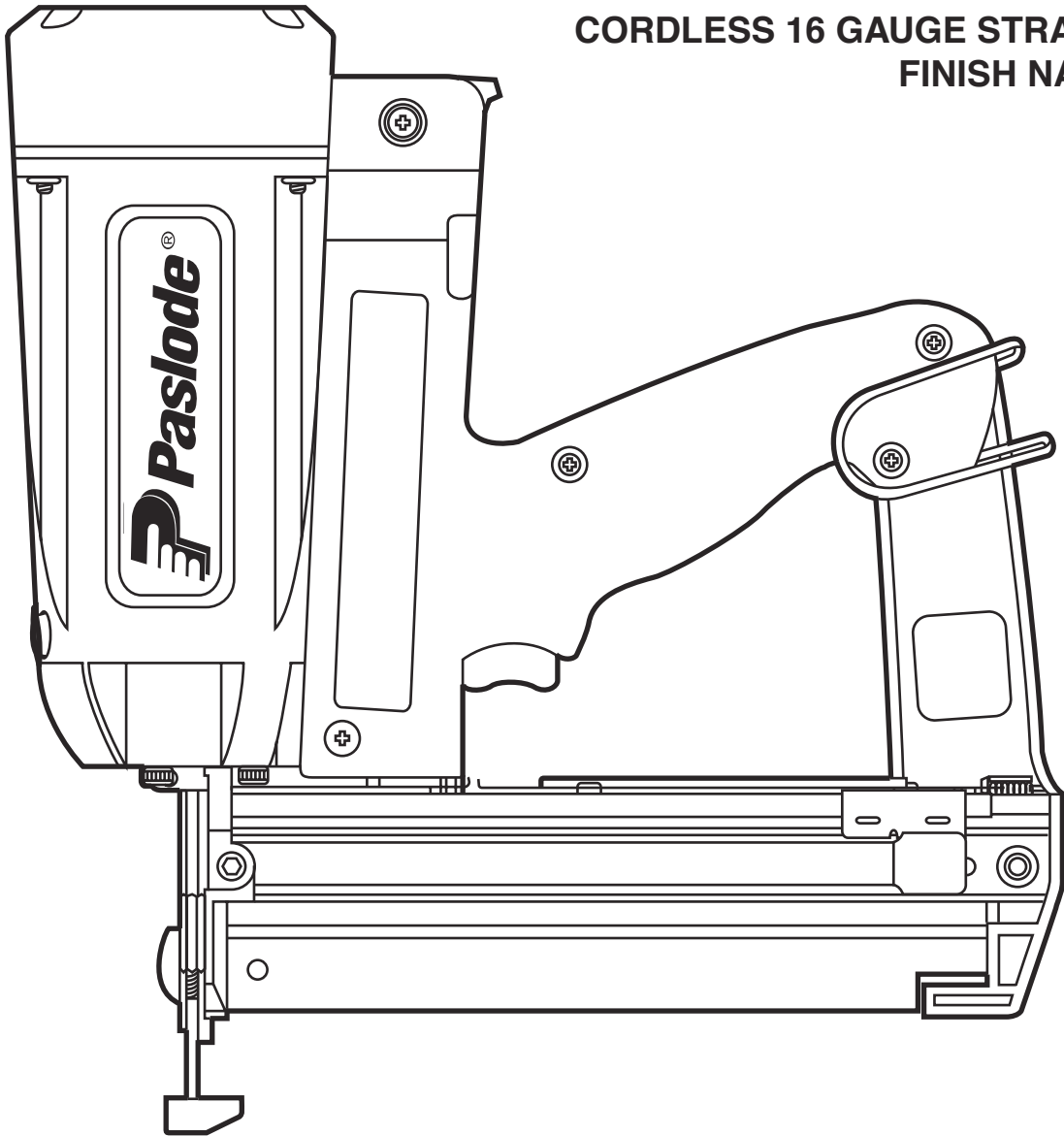




**CORDLESS 16 GAUGE STRAIGHT  
FINISH NAILER**



**TOOL SCHEMATIC AND PARTS**

**IMPORTANT!  
DO NOT DESTROY**

Always refer to operators manual #405606 for detailed information on this tool. It is the customers responsibility to have all operators and service personnel read and understand this information.

# PARTS LEGEND

900400

1	900356	1	Grille	53	900329	1	Spring, Cover
2	900455	1	Filter	54	900328	1	Spring, Negator
3	901065	4	Shoulder Screw, 10-24 x 1-1/4	55	900350	1	Lever, Quick Clear
4	008388	1	Flat Washer #10	56	900301	1	Follower
5	900410	1	Cap Assembly	57	900302	1	Cover
6	404427	3	Screw, Taptite, B-32 x 5/8	▲ 58	900166	1	Spring
7	006562	3	Washer #8	59	900338	2	Screw 10-32 x 1/2
8	900575	1	Circuit Board Assembly	61	900332	1	Hub
9	900573	1	Fan Motor with Mount	62	900303	1	Cover, Moveable
10	900468	1	Washer	63	900326	2	Wear Strip
11	900287	1	Spark Plug Assembly	64	900417	1	Rail Assembly
12	401356	1	Sleeve, Motor	▲ 65	900407	2	Socket Head Cap Screw 10-32 x 5/16
15	403146	1	Stem Adapter (Yellow)	66	004174	3	Screw 10-24 x 7/8
16	900004	1	Cylinder Head	67	900335	1	Spring, Quick Clear
*17	404700	2	O-Ring	68	900412	1	Nose Assembly
18	403167	1	Fan Blade Assembly	69	900342	1	Mounting Ring
19	900583	1	Removable spark Plug Wire	70	900353	1	Pivot Pin
20	900280	1	Spark Unit Assembly	71	900324	1	Front Guide
21	404601	1	Head Switch Assembly	72	403104	1	Air Dam
22	404490	1	Trigger Switch Assembly	73	403100	1	Combustion Chamber Assembly
23	900232	1	Cable Clamp	74	403099	1	Retaining Ring, Piston
25	900968	2	Screw 10-32 x 5/8	*75	403098	1	Piston Ring
30	900415	1	Actuator Assembly	76	403095	1	Piston Driver Blade Assembly
31	900405	1	Self Clenching Nut	*77	403094	1	Bumper
32	900944	1	Handle Right side	78	900416	1	Upper Probe Assembly
**33	900496	1	Warning label	79	403084	1	Sleeve and Midcheck Ring Assembly
34	901259	1	Nameplate	80	403089	1	Seal Washer
35	900312	1	Contact Positive	81	403090	2	Wave Washer
36	900311	1	Contact Negative	82	403092	2	Retaining Ring, Midcheck
37	900943	1	Handle Left side	83	403091	1	Muffler
38	900508	1	International Label	84	404339	1	Spring, Chamber Return
40	900453	3	Thread Forming Screw, 8-16 x 7/8	85	403106	1	Cage
41	900289	1	Belt Hook	86	901111	2	Housing Label, Logo
42	403107	1	Screw, 8-32 x 1 1/2	87	900323	1	Probe, Lower
43	403082	3	Washer, .189 x .312 x .040	88	900411	1	Housing Assembly
44	900942	1	Bushing	89	900352	1	Tip
45	401450	2	Pad	90	900182	2	Washer, Trigger
46	404385	1	Light Pipe	91	900382	1	Back Plate Insert
47	402201	2	Screw, Phillips Head, 2-56 x 5/8	92	403713	3	E-Ring, Retaining
48	401395	1	Spring	93	404613	1	Cable Tie
49	900358	1	Trigger	94	900164	1	Ring
50	900336	1	Contact Wire Assembly	95	900331	2	Insert, Handle
51	900941	1	Nut 8-32	96	900341	2	E-Ring
52	404702	2	Screw, Thread 6-32 x 3/8				

\* Denotes Normal Wear Item.

▲ Apply Loctite 242 (Blue) Part No.093500

\*\* Make sure Warning Label (900496) is properly affixed replace if necessary. Label is available at no charge through the Service Dept.

➔ Denotes Change

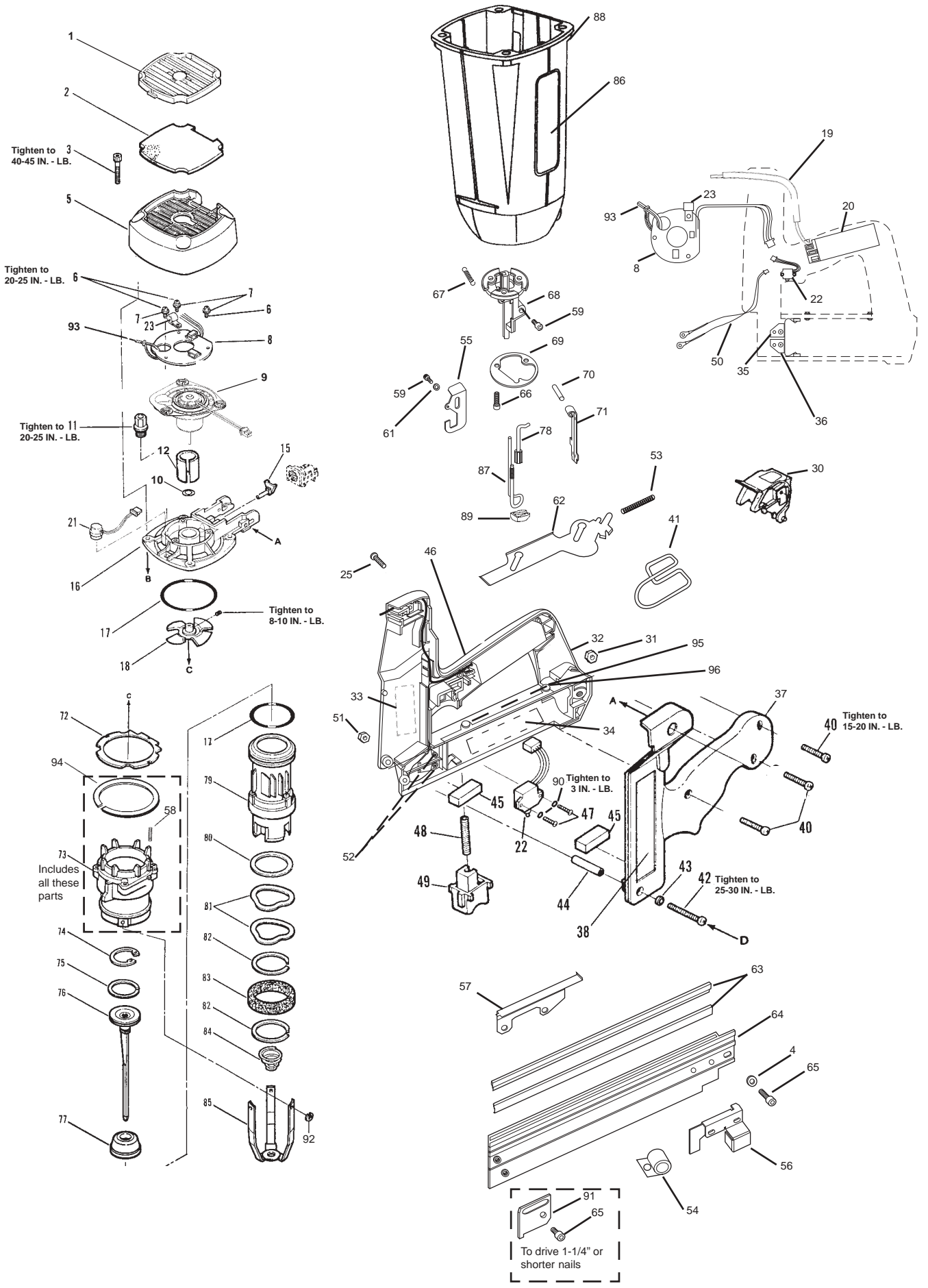
## WEAR EYE AND HEARING PROTECTION



Always wear hearing protection and eye protection devices, including side shields when operating or working in the vicinity of a tool.

### WARNING

**All parts must be periodically inspected and replaced if worn or broken. Failure to do this can affect the tool's operation and present a safety hazard.**



# ACCESSORIES

## Carrying Case



Part No. 900488

---

## Battery



Part No. 404717

---

## Paslode Cordless Lubricating Oil



Part No. 401482

---

## Torx Key

For tightening fan blade to motor

Part No. 900183

---

## Battery Charger Kit

(Replacement Charger Base only Part No. 901230)

(Replacement Transformer Only Part No. 900477)



Part No. 900200

---

## Clear Safety Glasses



Part No. 401382

---

## Tool Cleaner

Ideal cleaner for all Paslode tools



Part No. 219348

---

## Service Tool Kit

A 19 piece tool kit containing all the necessary tools to repair any Impulse tool.

Part No. 401498

---

## No- Mar Tip - 3 pack

Part No. 219226

---

## High Altitude Fuel Cell Valve - 4 pack

For use in elevations of 4000ft. to 9000ft.

Part No. 219247

---

 **Paslode**<sup>®</sup>  
An Illinois Tool Works Company  
888 Forest Edge Drive  
Vernon Hills, Illinois 60061