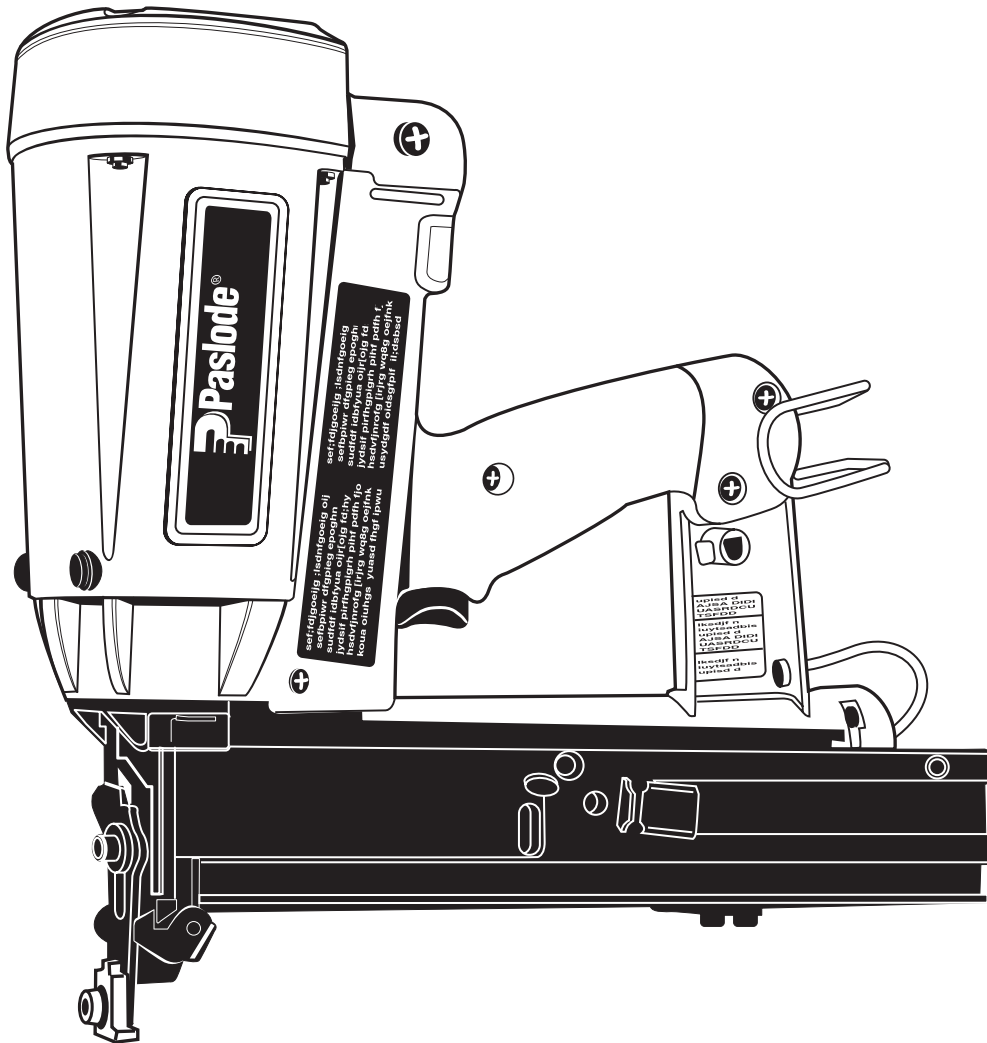




Part No. 900078

## CORDLESS 16 GAUGE STAPLER



### IMPORTANT!

#### DO NOT DESTROY

Always refer to operators manual #403627 for detailed information on this tool. It is the customer's responsibility to have all operators and service personnel read and understand this information.

### TOOL SCHEMATIC AND PARTS

# PARTS LEGEND

## Cordless 16 ga. Stapler, 900078

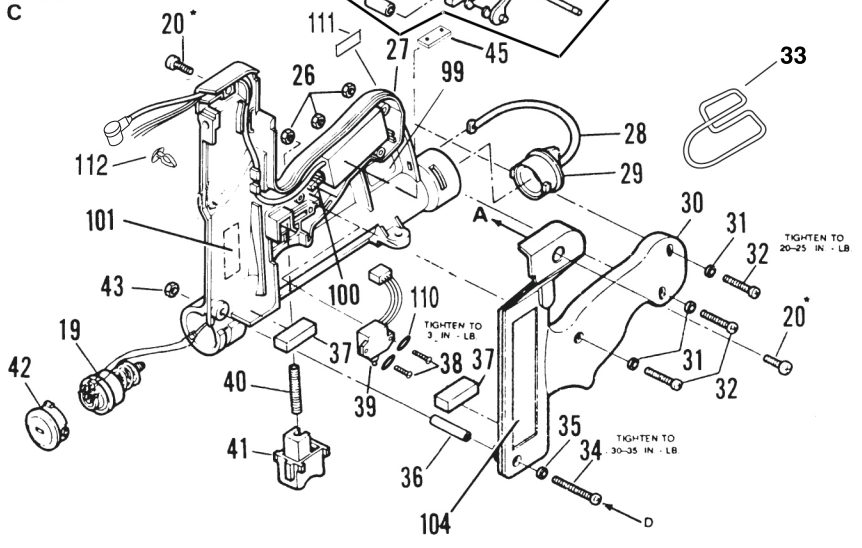
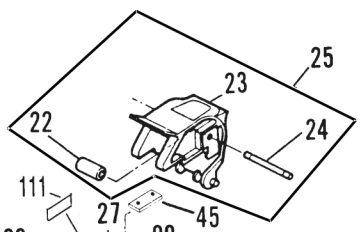
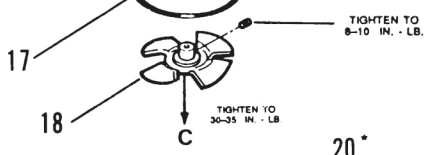
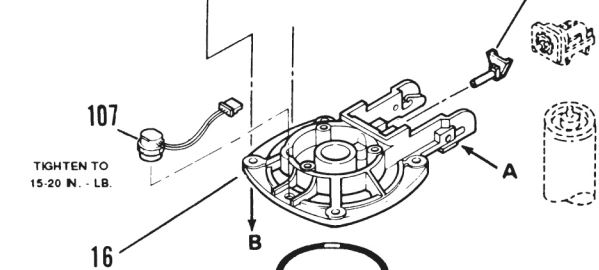
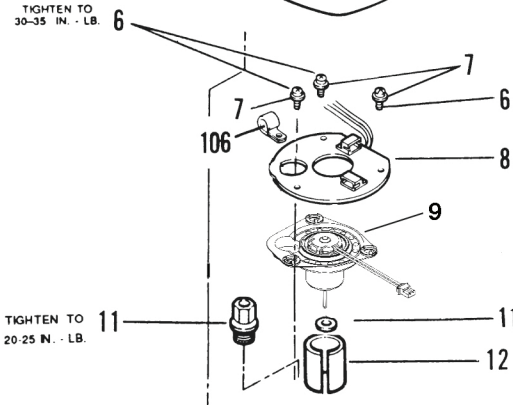
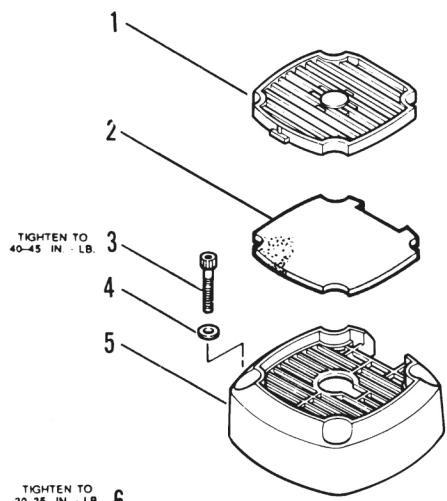
1	900356	1	Grille	59	091534	1	Drum, Negator
* 2	900455	1	Filter	60	402743	1	Pin, Negator Drum
3	901065	4	Shoulder Screw, 10-24 x 1-1/4	61	402668	1	Retaining Washer
4	008388	2	Flat Washer #10	62	402796	1	Follower
5	900410	1	Cap Assembly	63	403104	1	Air Dam
6	900902	3	Screw, Sems, 8-32 x 5/8	64	403100	1	Combustion Chamber Assembly
8	900575	1	Circuit Board Assembly	65	403099	1	Retaining Ring, Piston
9	900573	1	Motor with Mount & Connector	66	403098	1	Piston Ring
10	403842	1	REMOVED	*67	404665	1	Piston Driver Blade Assembly
11	900287	1	Spark Plug Assembly	*68	403094	1	Bumper
*12	401356	1	Sleeve, Motor	69	403084	1	Sleeve/ Midcheck Ring Assembly
13	900470	1	REMOVED	70	403089	1	Seal Washer
14	401355	1	REMOVED	71	403090	2	Wave Washer
15	403146	1	Stem Adapter (Yellow)	72	403092	2	Retaining Ring, Midcheck
16	900004	1	Cylinder Head	73	403091	1	Muffler
*17	404700	2	O-Ring	74	404339	1	Spring, Chamber Return
18	403167	1	Fan Blade Assembly	75	403106	1	Cage
19	900011	1	Battery Contact Assembly	76	403713	3	E-Ring, Retaining
20	900968	2	Shoulder Screw, 10-32 x 9/16	77	404316	1	Flange, Sleeve
22	404432	1	Bushing, Actuator	78	900411	1	Housing Assembly
23	900357	1	Actuator	▲80	004174	2	S. H. C. S. 10-24 x 7/8
24	404433	1	Pin, Actuator	81	900534	2	S. H. C. S. 10-32 x 5/8
25	900136	1	Actuator Assembly	82	092037	1	Locknut, 10-32
27	900179	1	Handle Right Side	83	402736	1	Washer, Flat #10 Black
28	403156	1	Lanyard	84	404319	1	Lower Work Contacting Element
29	403155	1	Battery Cap	85	900056	1	No-Mar Tip (Optional)
30	900138	1	Handle, Left Side	86	004238	1	Lockwasher #10
32	900453	3	Thrd. Frm.Screw, 8-16 x 7/8	87	402629	1	Washer, Hardened #10
33	900289	1	Belt Hook	88	900535	1	Upper Work Contacting Element
34	901221	1	Screw, Sems 8-32 x 9/16	89	404365	1	Front Guide
36	403166	1	Bushing	▲90	900537	2	S. H. C. S. 10-24 x .813
37	401450	2	Pad, Fuel Cell	91	900550	1	Back Plate
38	402201	2	Screw, Phillips Head, 2-56 x 5/8	92	403822	1	Pivot Pin
39	404490	1	Trigger Switch Assembly	93	900001	1	Spring, Latch
40	401395	1	Spring	94	404317	1	Latch, Front Guide
41	900358	1	Trigger	95	092176	1	Roll Pin, 5/32 Dia. x 1-3/8
42	403127	1	Retention Cap	96	404315	1	Flange, Nose
43	001641	1	Nut, 8-32	97	900583	1	Removable Spark Plug Wire
44	900562	1	S. H. C. S. 10-24 x 1-1/8"	98	900280	1	Spark Assembly
45	900552	2	Cover Plate	99	900261	1	Nameplate
▲46	004224	5	Screw	100	404385	1	Light Pipe
47	900549	1	Rail Bracket	**101	900496	1	Warning Label
48	404698	2	Roll Pin Assembly	103	901111	2	Label, Logo
49	900551	1	Pivoting Rail Cover Assembly	**104	900508	1	International Warning Label
50	900548	1	Rail & Cover Assembly	106	900232	1	Cable Clamp
51	900532	1	Lower Siding W. C.E.	107	404601	1	Head Switch Assembly
▲52	402797	1	Retaining Bushing	108	900166	1	Spring, Combusion Chamber
53	402798	1	Latch, Follower Button	109	900164	1	Ring, Head Switch Activating
54	402799	1	Spring, Follower Latch	110	900182	2	Washer, Trigger
55	402740	1	Roll Pin, 3/32 x 7/16	111	900142	1	Label, Battery
56	091568	1	Screw, Pan Head, 6-32 x 1/4	112	900236	1	Clip Handle
57	070545	1	Lockwasher #6	114	900300	1	REMOVED
58	091532	1	Negator	115	900468	1	Washer

\* Denotes normal wear items.

\*\* Make sure warning labels are properly affixed, replace if necessary. Labels available at no charge through the Service Department.

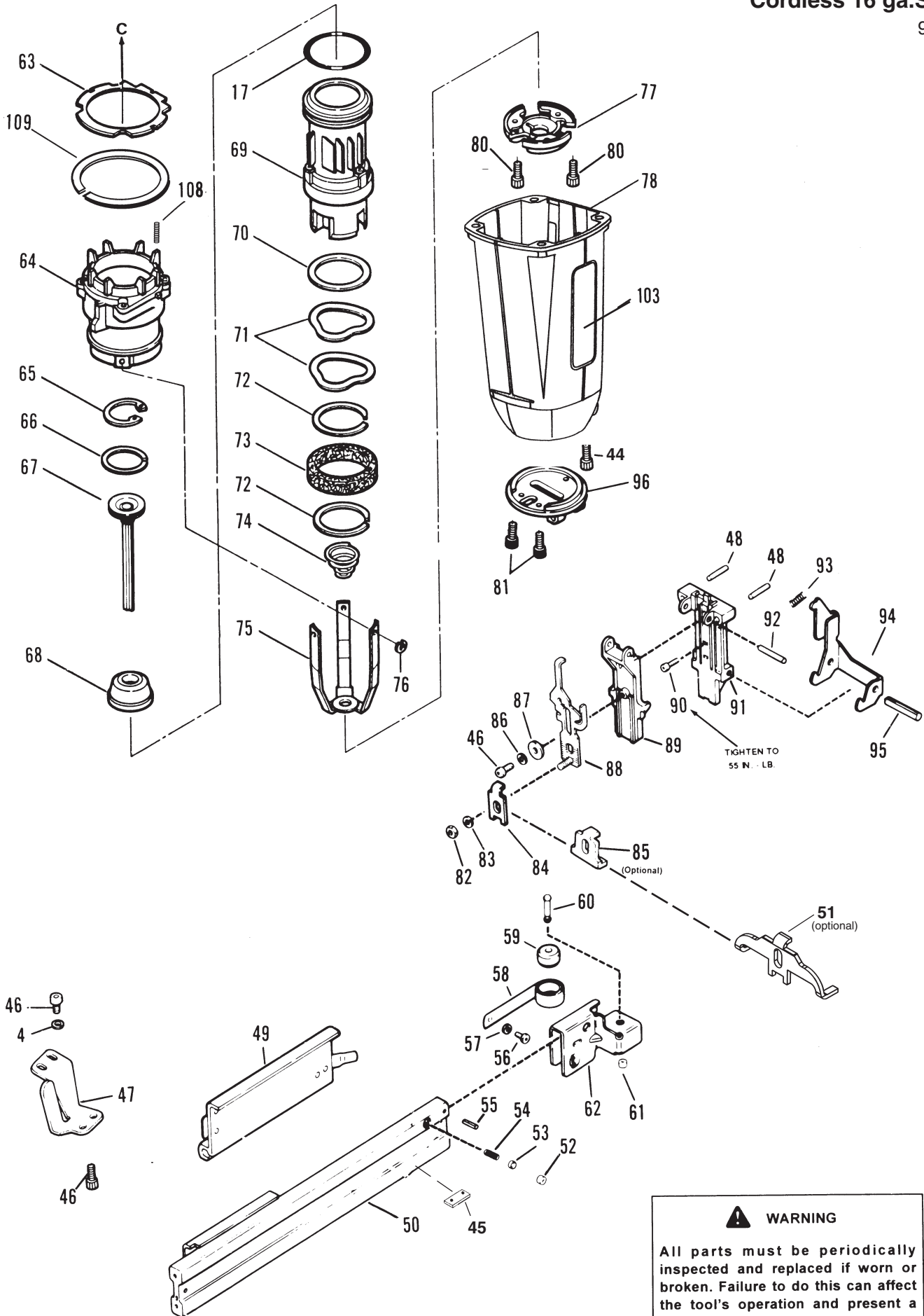
▲ Apply Loctite 242 (Blue).

→ Denotes new change.



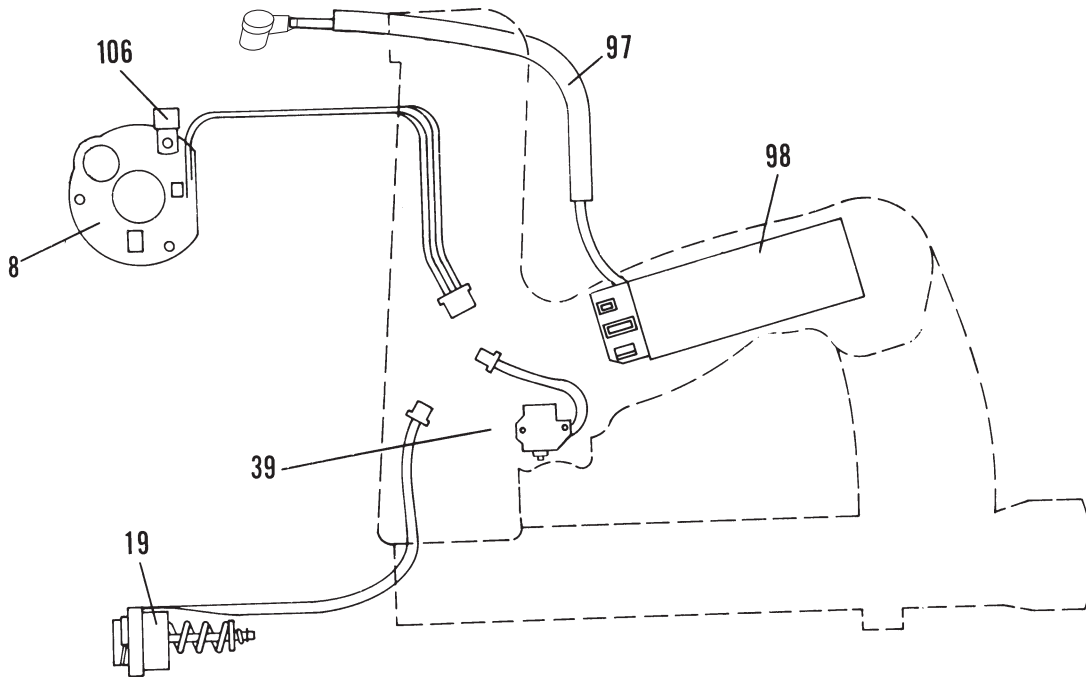
# Cordless 16 ga. Stapler

900078

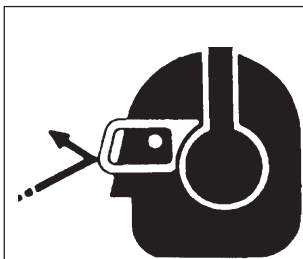


**WARNING**

All parts must be periodically inspected and replaced if worn or broken. Failure to do this can affect the tool's operation and present a safety hazard.



## SAFETY INSTRUCTIONS



### WARNING

Always wear EYE and EAR safety gear when working with or in the vicinity of the Paslode Cordless Stapler.

1. WEAR EYE AND EAR PROTECTION.
2. ALWAYS ASSUME THE TOOL IS "LOADED".
3. OPERATE THE TOOL ONLY ON THE WORK SURFACE.

4. NEVER REMOVE OR DISABLE THE WORK CONTACTING ELEMENT.

This device helps reduce the possibility of accidental fastener discharge by preventing the tool from operating until it is completely against the work surface.

NEVER operate the tool if the work contacting element is not working properly.

5. ALWAYS POINT THE TOOL AWAY FROM YOURSELF AND OTHERS WHEN CLEARING JAMS OR REMOVING FASTENERS.

Pull the follower slightly back and push the release lever. Tip the tool nose up slightly and fasteners should slide out of the rear of the magazine. If fasteners are jammed, refer to the appropriate service section of the operating manual.

6. NEVER ATTEMPT TO OPERATE THE PASLODE CORDLESS STAPLER IF PARTS ARE LOOSE, DAMAGED OR MISSING.



### WARNING

The Paslode Cordless Stapler should be operated only when it is in contact with the work surface. When fastening thin materials such as plywood, be sure to position the tool so that the fastener is driven into the underlying piece.

# ACCESSORIES

## Carrying Case



Part No. 403164

---

## Service Tool Kit

A 19 piece tool kit containing all the necessary tools to repair any Paslode Cordless Tool



Part No. 401498

---

## Battery



Part No. 402500

---

## Paslode Lubricating Oil



Part No. 401482

---

## Torx Key

For tightening fan blade to motor

Part No. 900183

---

## Battery Charger Kit

(Replacement Charger Base Only Part No. 901230)  
(Replacement Transformer Only Part No. 900477)



Part No. 900200

---

## Clear Safety Glasses



Part No. 401382

---

## Tool Cleaner

Ideal cleaner for all Paslode tools



Part No. 219348

---



An Illinois Tool Works Company  
888 Forest Edge Drive  
Vernon Hills, Illinois 60061