

CS150 FEATURES & BENEFITS

Quick Clear Nose

Easy access to clear jams.

Adjustable Depth of Drive

Provides precise control of staple depth without adjusting the compressor.

Directable Exhaust Cap

Can be rotated to direct exhaust away from operator

Switchable Trigger

Switches from sequential to bounce drive.

Adjustable Belt Hook

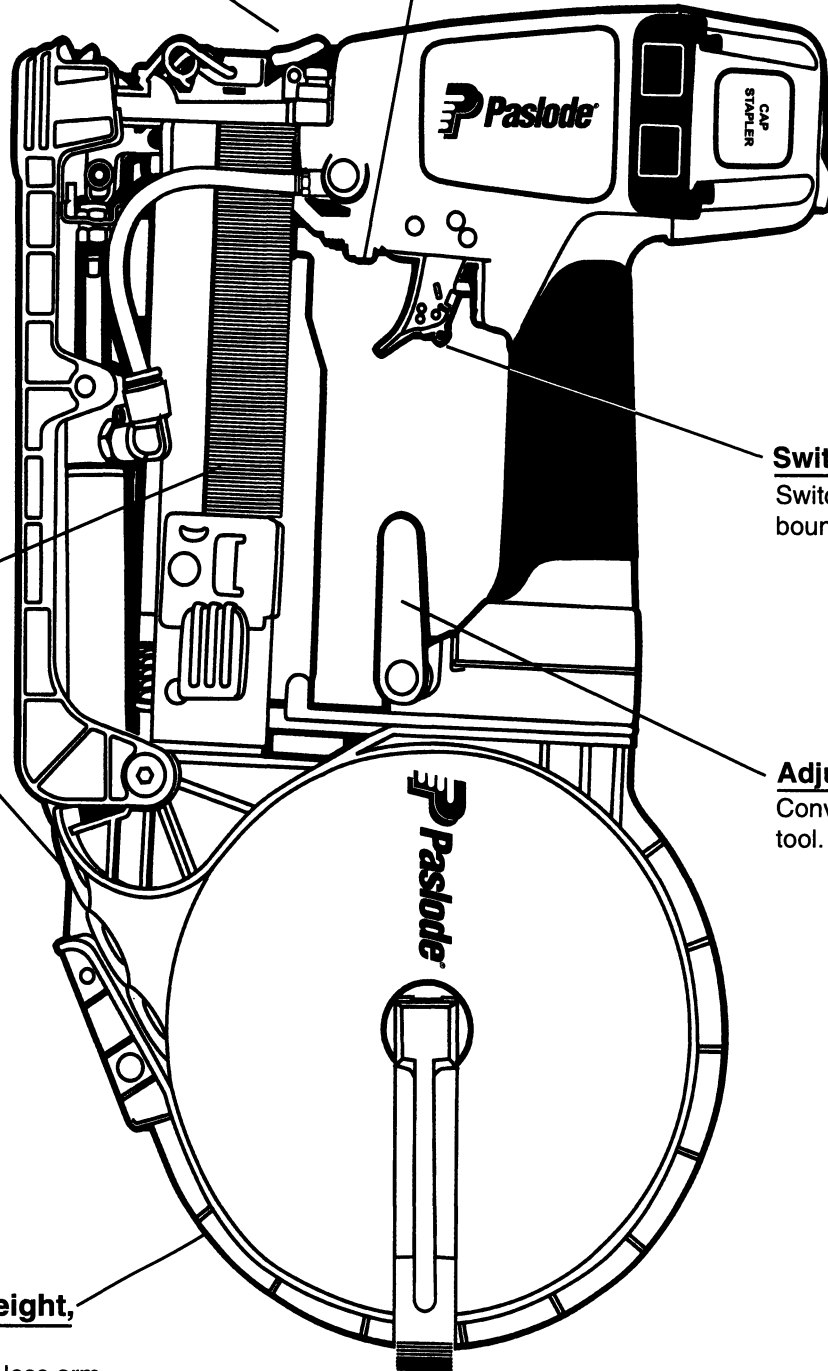
Conveniently stows the tool.

Versatility

Can drive staples only, or with caps.

Balanced, Light weight, In-Line Design

Easy to maneuver with less arm fatigue.



PARTS LEGEND

CS150,

502575

1	502576	1	Nyloc screw M4*8	63	502639	1	Pin
2	502577	1	Washer 12*5*1	64	502640	1	Safety Guide Plate
3	502578	1	Exhaust Cover	65	502641	1	Safety Adjustment Wheel
* 4	502579	1	O-Ring 8*2.5	66	502642	1	Container Pin
5	502580	2	Cover, Grip	67	502643	1	Spring
6	502581	2	Cap Guard	68	502644	1	Container
7	502582	4	Screw Set M4*25	69	502645	1	Spacer
8	502583	4	Screw M4*25	70	502646	1	Container Latch
9	590042	4	Washer #4*1T	71	502647	1	Pin '4*20
10	502584	1	Cap, Top	72	502648	1	Screw Set M5*22
* 11	502585	1	O-Ring 15*2.5	73	590001	2	Screw M5*22
12	502586	1	Seal, Air	74	590002	2	Washer #5*1.2T
13	502587	1	Gasket	75	502649	1	Spacer
14	502588	1	Spring	76	502650	1	Screw
15	502589	1	Firing Valve Piston Set	77	502651	1	Spring 5.4*26.5L
* 16	502590	1	O-Ring 33.5*2.5	78	502652	1	Release Catch
17	502591	1	Firing Valve Piston	79	502653	1	E-Ring\ M+2A3704
* 18	502592	2	O-Ring 26.59*2.95	80	502654	1	Magazine Cover
19	502593	1	Piston Stopper	81	502655	1	Magazine Cover Spacer
* 20	502595	1	O-Ring 22.4*3.3	82	502656	1	Spring
* 21	502594	1	Piston Driver Assembly W/ O-Ring	83	502657	1	Screw M4*28
22	502600	1	Sleeve Retainer	84	590130	2	Nylon Nut M6
23	502601	1	Cylinder Sleeve	85	502658	1	Outlet Site Cover Set
* 24	502602	1	O-Ring 32*2.5	86	502659	1	Stopper
25	502603	1	Spacer	87	502660	1	Spring Pin 3*28
* 26	502604	1	O-Ring 44.8* 2.6	88	502661	1	Outlet Site Cover
* 27	502605	1	Bumper	89	502662	1	Outlet Site Catch Assy.
28	502606	1	Nozzle Washer	90	502663	1	Outlet Site
29	502607	1	Handle Grip	91	502664	1	Magazine
30	502608	1	Trigger Pin	92	590028	2	E-Ring '2.5
31	502609	1	Body	93	502665	1	Spring Set
* 32	502610	4	Pin Retainer '5.5*2	94	502666	1	Nylock Screw M4*10
33	502611	1	Gasket	95	502667	1	B.H.C.S. M4*4
34	502612	1	Washer '12.5*1.6T	96	502668	1	Pusher
35	502613	1	Tail Cover	97	502669	1	Pusher Grip
36	502614	1	Air Plug	98	502670	1	Compression Spring
37	502615	1	Belt Hook	99	502671	1	Lock Pin
38	590055	1	Screw M5*20	100	502672	1	B.H.C.S. Screw M6*50
* 39	502616	1	O-Ring 2.5*1.5 (Blue)	101	502673	4	Screw M4*10
40	590043	1	Screw M4*8	102	502674	1	Pusher
41	502617	1	FW Air Plug	103	502675	1	Cylinder Set
42	502618	1	Control Valve Rod Set	104	502676	1	Black Hose
43	502619	1	Label	105	502677	1	SPL601 Air Plug
* 44	502620	2	O-Ring 5.8*1.9	106	502678	1	Nylon Nut M4
45	502621	1	Control Valve Rod	107	502679	1	Tray
46	502622	1	Support	108	502680	2	Wear Pad
47	502623	4	Screw M4*30	109	502681	1	Nylock Screw M4*12
48	502624	1	Trigger Valve Set	110	502682	1	F.H.C. Screw M3*12
* 49	502625	1	O-Ring 8*1.8	111	590148	1	Hex Nut M6
50	502626	1	Trigger Valve Head	112	502686	1	Spacer
51	502627	1	Spring	113	502687	1	Spring
* 52	502628	2	O-Ring 2.6*1.2	114	502688	1	Wheel
53	502629	1	Trigger Valve Stem	115	502689	1	Step Pin 3.5*16.3
* 54	502630	1	O-Ring 12.5*1.8	116	502690	1	Pusher Set
55	502631	1	Trigger Valve Guide	117	502683	1	Plate
* 56	502632	1	O-Ring 14*1.8	118	502441	1	Housing Label, Left
57	502633	1	Trigger Set	119	502442	1	Housing Label, Right
58	502634	1	Extention Spring	** 120	502443	1	Model/ Warning Label
59	502635	1	Releasing Blade	121	502444	2	Name Plate
60	502636	1	Trigger Spring	122	502692	1	Depth adjustment label
61	502637	1	Trigger Guide	123	502693	1	Directional label
62	502638	1	Trigger				

* Denotes Normal Wear Item

** Make sure Warning Label (502443) is properly affixed. Replace if Necessary. Label Available at no Charge through the Service Parts Dept.

→ Denotes New Change

CS150
502575

