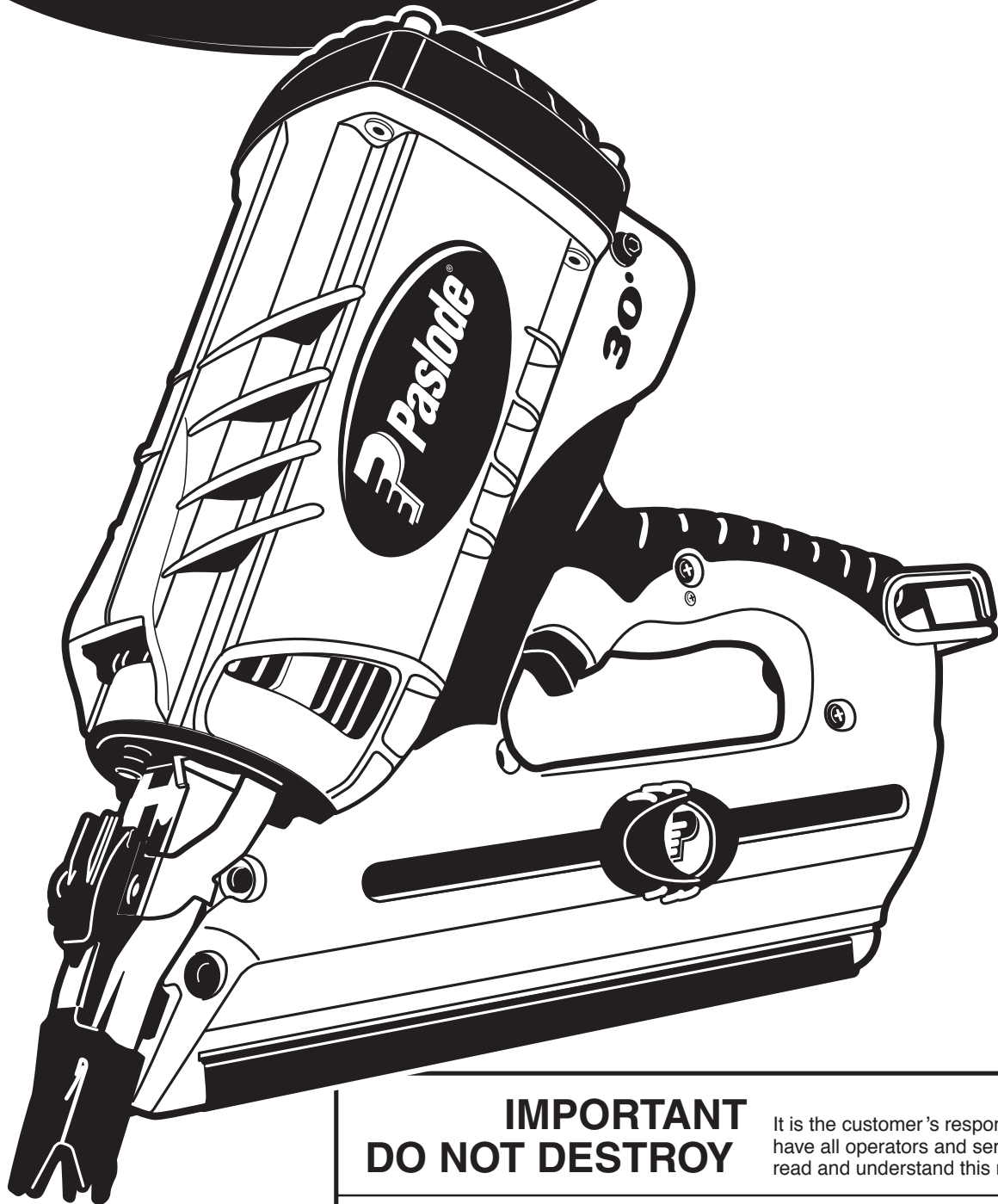


Tool Schematic and Parts — Cordless Framing Nailer

Part No. 902200
Model CF-325



**IMPORTANT
DO NOT DESTROY**

It is the customer's responsibility to have all operators and service personnel read and understand this manual.

PARTS LEGEND Paslode CORDLESS FRAMING NAILER, 902200

1	902207	1	Grill	52	404419	1	Bumper		
2	900315	1	Filter	53	902239	1	Spring		
3	900469	1	Fan Motor Assembly (Includes PC board, washer, flat retaining ring, motor mount, and retaining ring (curved))	54	900934	2	Steel Ring, Sleeve		
4	900300	1	Retaining Ring (flat)	55	901204	1	Sleeve Assembly, includes rings		
6	900470	1	Motor Mount	56	404464	2	Rubber Stop		
7	401355	1	Retaining Ring (curved)	57	404424	1	Reed Valve		
8	901063	4	Shoulder Screw 10-24 x 1-1/2	58	404422	1	Muffler		
→	904517	1	Fuel Barb	59	404423	1	Muffler Cover		
10	401356	1	Motor Sleeve	60	902227	1	Utility Hook Button		
11	900286	1	Spark Plug Assembly, includes O-Ring	61	900596	6	Screw Thread Forming Sems 8-32 x 7/16		
12	902215	1	Fuel Tube	62	403816	2	Socket Head Capscrew 10-24 x 1-1/8		
13	404453	1	Bracket, Cylinder Head	63	404445	2	Bushing, Shear Block		
14	902210	1	Fuel Dosing Lever	64	902223	1	Wear Plate, Nose		
15	902209	1	Fuel Door	65	901249	1	Upper Probe		
16	902230	1	Pin, Fuel Door	66	902225	1	Lower Probe		
17	902235	1	Retaining Ring, Fuel Door	67	900592	2	S.H.C.S. Sems 10-32 x 1/2		
18	902221	1	Cylinder Head	68	401380	1	Tie Bar		
19	900935	2	Seal Ring	69	902211	1	Fuel Pivot Arm		
20	403167	1	Fan Blade Assembly	70	902203	1	Housing Assembly		
21	900474	1	Spark Unit Assembly	71	902237	1	Utility Hook		
22	900475	1	Molded Circuit Assembly	72	902234	2	Label		
23	900478	1	Spark Plug Assembly Wire	73	902240	1	Retainer Ring, Sleeve		
24	900231	1	Clip, Wire Spark Plug	▲	74	900593	3	S.H.C.S. Sems 10-24 x 5/8	
■	25	403987	2	Screw Thread Forming 6-32 x 1/4	75	403985	1	Follower	
26	902226	1	Handle Assembly Kit - Right & Left	76	901415	1	Follower Bushing Spring Assembly		
27	404448	1	Roller Lever Assembly	77	901202	1	Retaining Ring		
29	404702	2	Screw Thread Forming 6 x 3/8	78	403986	1	Spring Pin		
30	404436	1	Nail Channel	79	902204	1	Follower Guide		
31	404441	1	Cover Plate Magazine	80	902205	1	Follower Button		
32	901222	2	Shoulder Screw 10-32 x 1/2	81	404457	1	Spring		
33	902206	1	Cap	82	404922	2	Pad, Battery Contact		
34	404412	1	Wear Plate, Chamber Lock	83	401450	3	Foam Pad		
35	900453	4	Screw Plastite 8-16 x 7/8	85	901240	1	Probe Release		
36	900508	1	Warning Label	86	404426	1	Exhaust Baffle		
37	902220	1	Magazine Channel	87	404425	1	Reed Plate		
■	38	900594	4	S.H.C.S. Sems 8 - 32 x 1/2	■	88	900969	4	Torx Screw 8-32 x 5/8
39	901241	1	Stop, Cage	89	900481	1	O-Ring		
40	404451	1	Lockout Bar, Follower	**	90	900497	1	Warning Label	
41	902219	1	Shear Block	91	902222	1	Combustion Chamber Ring		
42	901238	1	Spring, Flat	92	404407	1	Combustion Chamber		
44	404435	1	Trigger	93	900595	2	Torx Screw Sems 8-32 x 3/8		
45	900269	1	Chamber Lock Bar	94	902212	1	Fuel Block		
46	404927	1	Spring, Trigger	95	902236	1	Nameplate		
47	401328	1	Retainer ring	96	900427	1	Light Pipe		
48	401461	2	Piston Ring	97	900468	1	Washer, Motor Shaft		
49	404485	1	Piston Assembly, includes rings	98	404411	2	Spring		
50	902233	1	Combustion Chamber Assembly	99	900546	1	Brass Insert		
51	404827	2	Pin	100	900597	1	Screw Thread Forming Sems 6-19 x 3/8		
				101	902238	1	Utility Hook Spring		
				102	902213	1	Pin Fuel Arm Pivot		

- ** Make sure Warning Labels (#900497,900508) are properly affixed.
Replace if necessary. Label is available at no charge through the Service Department.
- ▲ Apply Loctite 242 (Blue) Part No. 093500.
- Apply Loctite RC-620 (Green) Part No. 401491
- Denotes new change.

SAFETY INSTRUCTIONS

WEAR EYE AND HEARING PROTECTION



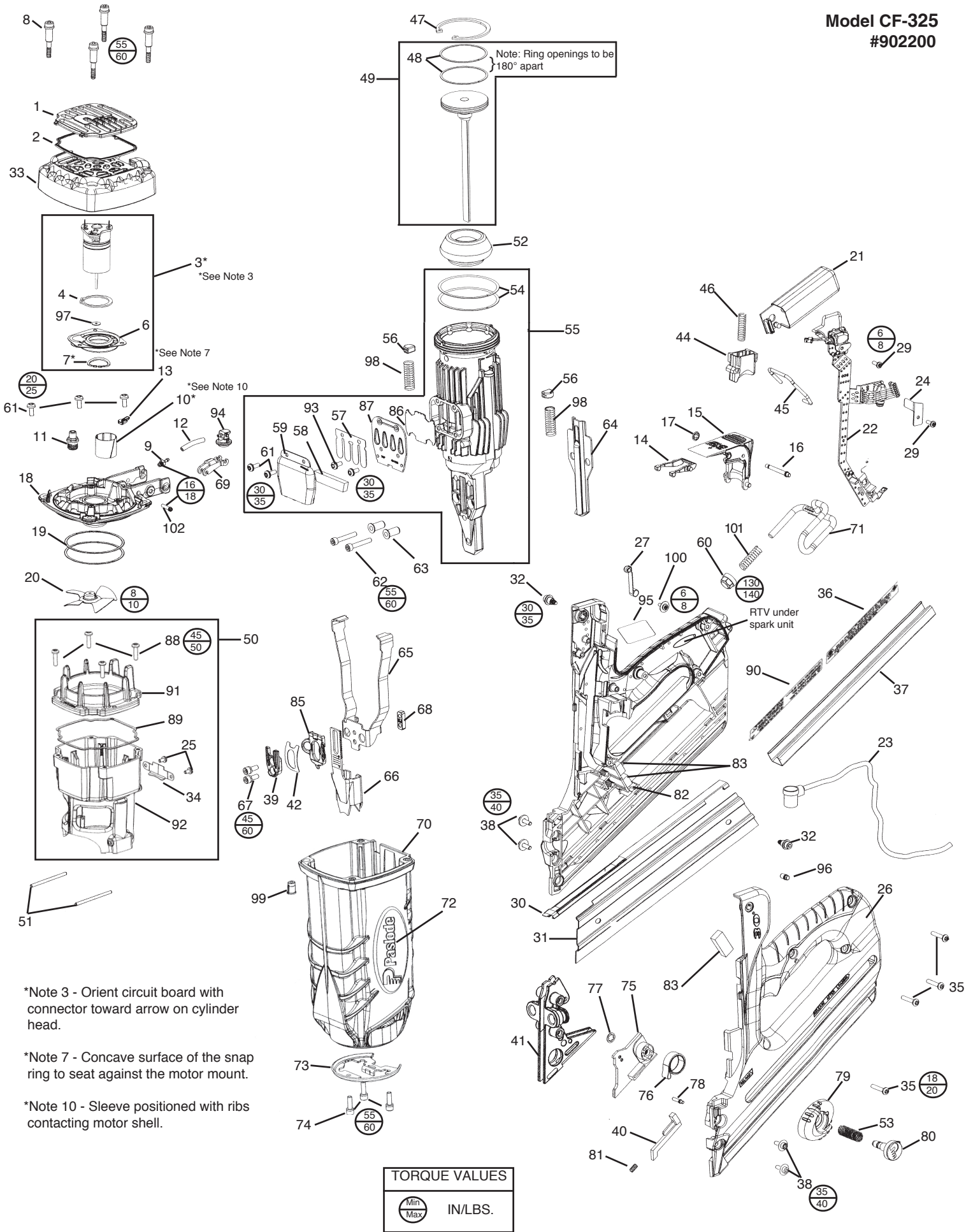
Always wear hearing protection and eye protection devices, including side shields when operating or working in the vicinity of a tool.



WARNING

All parts must be periodically inspected and replaced if worn or broken. Failure to do this can affect the tool's operation and present a safety hazard.

**Model CF-325
#902200**



*Note 3 - Orient circuit board with connector toward arrow on cylinder head.

*Note 7 - Concave surface of the snap ring to seat against the motor mount.

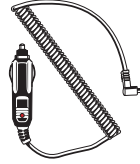
*Note 10 - Sleeve positioned with ribs contacting motor shell.

TORQUE VALUES	
Min	IN./LBS.
Max	

ACCESSORIES

Car Adapter

Enables you to re-charge your battery with your vehicle's electrical system.



Part No. 900507

Battery Cell



Part No. 404717

Paslode Cordless Lubricating Oil



Part No. 401482

5/32" Hex Key

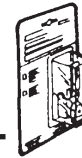
For clearing jams and servicing.



Part No. 401331

No-Mar Work Contacting Element

Rubber tipped WCE to eliminate marring work surface.
(Replacement rubber tip, Part No. 403369)



Part No. 901252

Paslode Cordless Nailer Case

Part No. 404710

Clear Safety Glasses



Part No. 401382

Cordless Tool Cleaner

Ideal cleaner for all Paslode® tools.



Part No. 219348

Battery Charger Kit

(Replacement Charger Base Only Part No. 901230)
(Replacement Transformer Only Part No. 900477- US/CANADA)



Part No. 900200

(Replacement Transformer Only Part No. 900505 Continental Europe)
(Replacement Transformer Only Part No. 900506 U.K.)
(Replacement Transformer Only Part No. 900504 Australia)

 **Paslode®**
An Illinois Tool Works Company
888 Forest Edge Drive
Vernon Hills, Illinois 60061