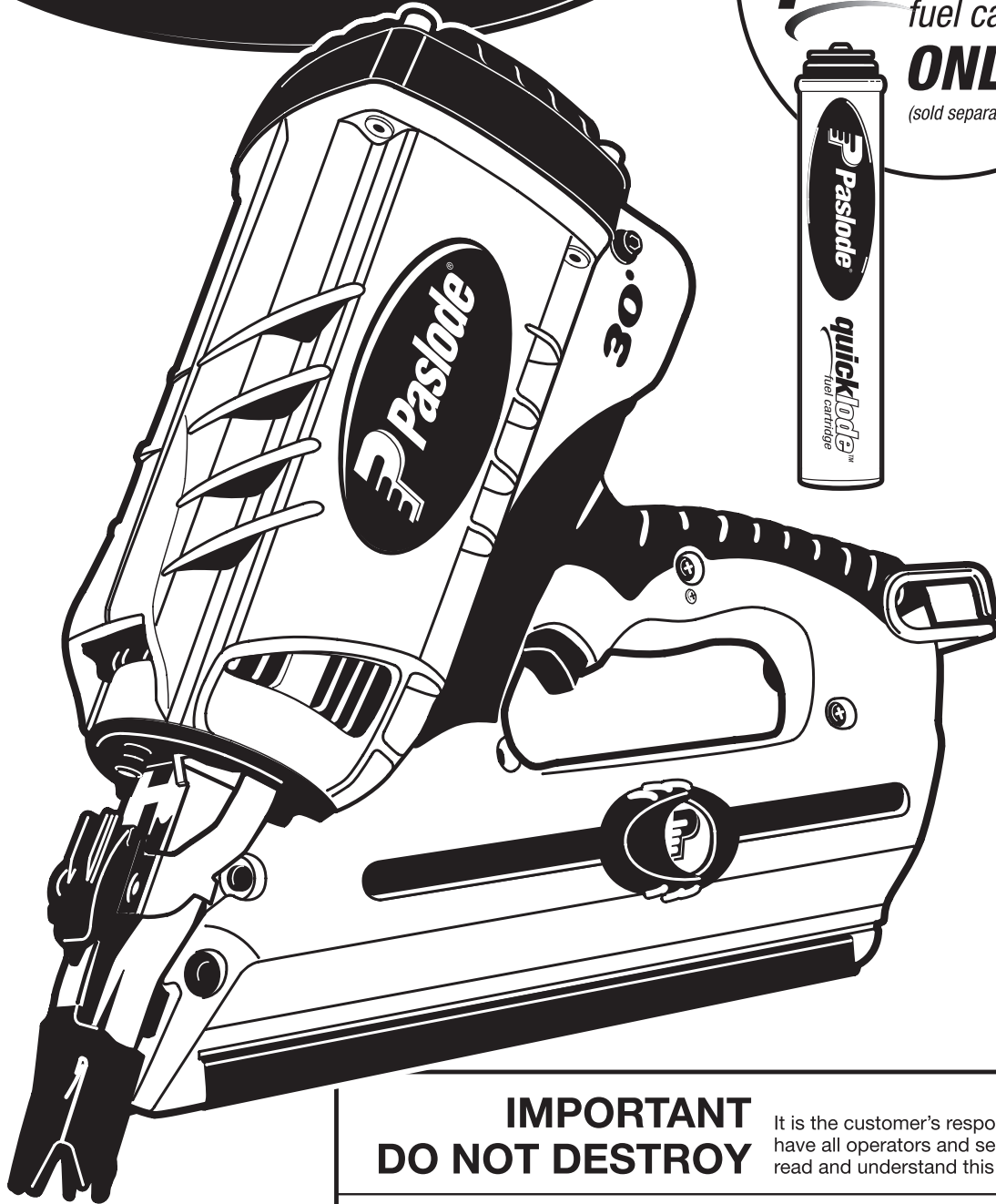


OPERATING MANUAL— Cordless Framing Nailer

Part No. 902200
Model CF-325



For use
with Paslode
quicklode™
fuel cartridge
ONLY!
(sold separately)



**IMPORTANT
DO NOT DESTROY**

It is the customer's responsibility to have all operators and service personnel read and understand this manual.

Printed in U.S.A. ©2009 Illinois Tool Works, Inc.

Introduction and Warranty

Paslode Cordless Framing Nailer Operating Manual

This manual is intended to acquaint you with the Paslode Cordless Framing Nailer. Unlike other power fastening tools, the Cordless Framing Nailer is powered by an internal combustion linear motor. In simpler terms, your Cordless Framing Nailer is powered by a motor similar to the one that powers an automobile. The Cordless Framing Nailer ignites a fuel and air mixture to produce the energy to drive the motor, which in turn drives the fastener. As you will see, the Cordless Framing Nailer is totally self-contained. It carries its own fuel supply and battery, along with a supply of fasteners.

For ease of use, this manual is divided into sections (see Contents). Each section of the manual is written with you, the tool operator, in mind. We have left out all of the technical terms so that you can readily understand how to get the maximum performance from your Cordless Framing Nailer, and how to avoid damaging the tool or injuring yourself. But, to accomplish this, we need you to do two things:

- 1. READ THE MANUAL FROM COVER TO COVER BEFORE USING THE TOOL.**
- 2. FOLLOW ALL INSTRUCTIONS IN THE MANUAL.**

The Cordless Framing Nailer should be handled like other power fastening tools that you use. Like most tools, when used improperly it could result in injury. If you are going to allow others to use the Cordless Framing Nailer, it is your responsibility to make sure that they also read and comply with the instructions in this manual before attempting to operate the tool.

Should you have questions about the Cordless Framing Nailer, or wish to obtain additional copies of this manual, please contact your Paslode® representative. The space below is provided so that you may record your representative's name, address, and telephone number.

My Paslode representative is:

Name _____

Address _____

City _____ State _____ Zip _____

Telephone Number _____

Paslode® Cordless CF325 Warranty and Limitations

Paslode warrants that new Paslode Cordless power fastening tools, parts and accessories will be free from defects in material and workmanship for the period shown below, after the date of delivery to the original user.

ONE-YEAR LIMITED WARRANTY

A one-year warranty will apply to all parts, except those listed below as normal wearing parts, or parts which are specifically covered by an extended warranty.

FIVE-YEAR EXTENDED LIMITED WARRANTY

A five-year warranty will apply to all molded nylon parts:

- Motor Housing, Cap and Grille
- Handle Halves and Actuator
- Trigger
- Magazine Parts

WARRANTY STATEMENT

This warranty is limited to tools sold and service requested in the United States. To obtain information on warranty service in the United States, refer to the Service Center listing that was provided with your tool.

Paslode's sole liability hereunder will be to replace any part or accessory which proves to be defective within the specific time period. Any replacement part or accessory provided in accordance with this warranty will carry a warranty for the balance of the period of warranty applicable to the part it replaces. This warranty does not apply to part replacement required due to normal wear.

This warranty is void as to any tool which has been subjected to misuse, abuse, accidental or intentional damage, use with fasteners, fuel, batteries, or battery chargers not meeting Paslode specification, size, or quality, improperly maintained, repaired with other than genuine Paslode replacement parts, damaged in transit or handling, or which, in Paslode's opinion, has been altered or repaired in a way that affects or detracts from the performance of the tool.

PASLODE MAKES NO WARRANTY, EXPRESSED OR IMPLIED, RELATING TO MERCHANTABILITY, FITNESS, OR OTHERWISE, EXCEPT AS STATED ABOVE, and Paslode's liability AS STATED ABOVE AND AS ASSUMED ABOVE is in lieu of all other warranties arising out of, or in connection with, the use and performance of the tool, except to the extent otherwise provided by applicable law. PASLODE SHALL IN NO EVENT BE LIABLE FOR ANY DIRECT, INDIRECT, OR CONSEQUENTIAL DAMAGES, INCLUDING, BUT NOT LIMITED TO, DAMAGES WHICH MAY ARISE FROM LOSS OF ANTICIPATED PROFITS OR PRODUCTION, SPOILAGE OF MATERIALS, INCREASED COST OF OPERATION, OR OTHERWISE.


Paslode reserves the right to change specifications, equipment, or designs at any time without notice and without incurring obligation.


Contents

Subject	Page
Introduction and Warranty	2
An Overview of the Paslode Cordless Framing Nailer	4
Safety Instructions.....	5
Battery and Charging System	8
Fuel Cell and Metering Valve	10
Preparing the Paslode Cordless Framing Nailer for Use	13
Paslode Cordless Framing Nailer Operation.....	14
Fasteners and Applications.....	15
Servicing	16
Troubleshooting	18

The battery charger meets all safety requirements for power tools.



 **Paslode**[®] is a trademark
Paslode
An Illinois Tool Works Company
888 Forest Edge Drive
Vernon Hills, Illinois 60061

 **Paslode**[®] Power Nailers are made in the U.S.A. and are protected by one or more of the following U.S. patents:*

4,403,722 4,483,280 4,483,474 4,522,162

*Other patents issued and pending.

Paslode[®] is a member of:



An Overview of the Paslode Cordless Framing Nailer

Description

The Paslode Cordless Framing Nailer is a self-contained, fully portable nailer that uses liquid hydrocarbon fuel to power a unique linear drive internal combustion motor.

As with any internal combustion motor, the Paslode Cordless Nailer will require periodic maintenance to keep it operating at its peak performance. The cleaning procedure booklet will instruct you on the proper cleaning of your tool. If additional services are required, contact your local Paslode service provider.

Specifications

Dimensions: Weight (with battery) 7.5 pounds
Height 14-1/2 inches
Length 12 inches

Cycle Rate: Intermittent Operation – 2 to 3 nails per second

NOTE: Exceeding these rates could cause tool to overheat, resulting in loss of performance or damage to tool components.

By using the Paslode Cordless Framing Nailer at its recommended cycle rate, you will be able to drive several thousand nails in a typical workday.

Fasteners: 30° paper tape collation
Minimum 2 inch x .113 diameter shank
Maximum 3-1/4 inch x .131 diameter shank

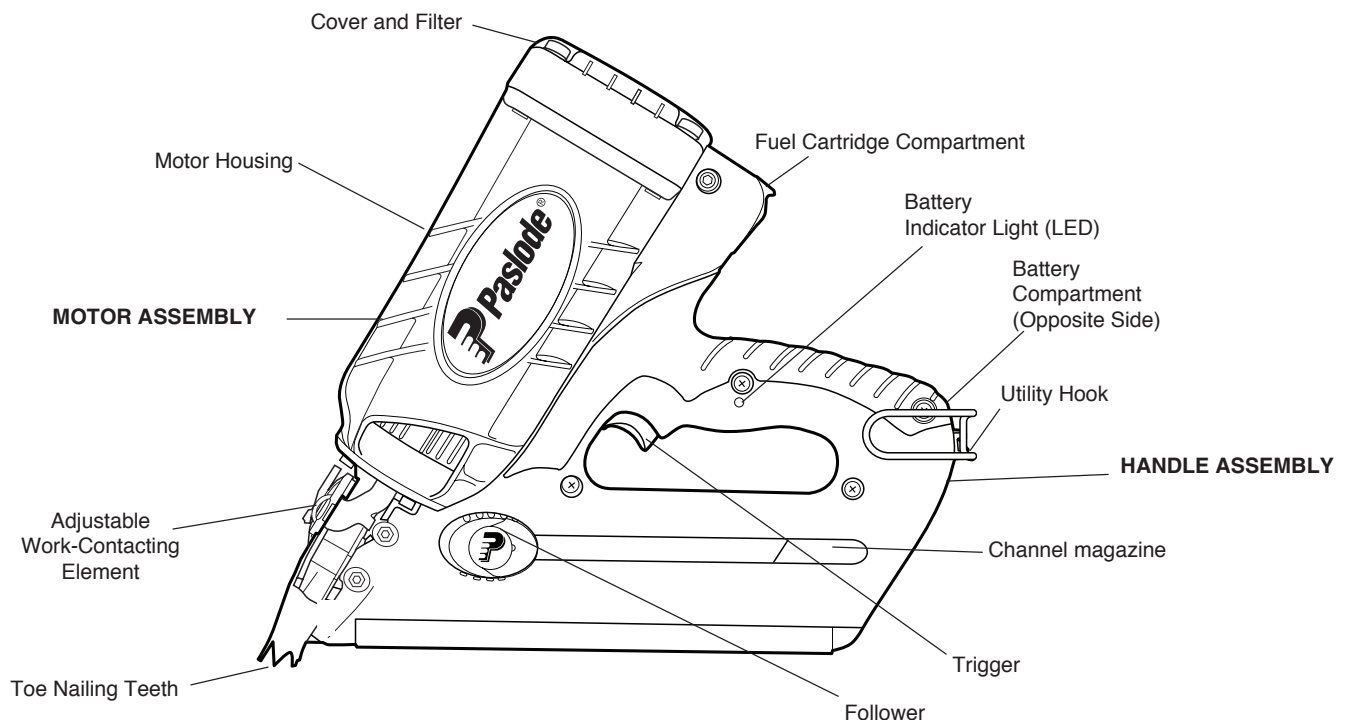
Magazine Capacity: 1 nail strip + 5 fasteners.

Battery : 6 volts DC - Provides enough energy to drive approximately 4000 fasteners on a full charge.

Fuel Cell: Orange quicklode™ fuel cartridge (1.32 oz)
Liquid hydrocarbon - Provides enough fuel to drive approximately 1200 fasteners.

NOTE: Altitude Restriction

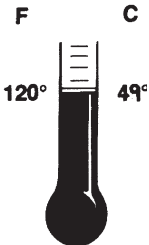
Paslode Cordless tools are powered by an internal combustion engine and are effected by altitude. The tool may lose power or not cycle consistantly at elevations of 4000 feet or greater.





Safety Instructions


The following safety instructions have been included in this booklet to provide you with basic information necessary for safe operation of the Paslode Cordless Framing Nailer. **DO NOT ATTEMPT TO OPERATE THIS TOOL UNTIL YOU HAVE READ AND UNDERSTAND ALL SAFETY PRECAUTIONS AND MANUAL INSTRUCTIONS.**

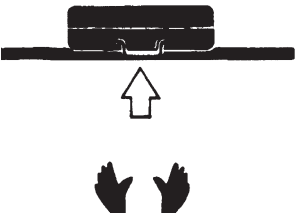
In addition to these instructions, training may be necessary. Contact your Paslode representative for additional information.

	<p>! WARNING</p> <p>Never expose or store the tool, fuel or battery at temperatures in excess of 120° F (49° C). Fuel and/or the battery may burst, releasing flammable gas.</p>
--	---

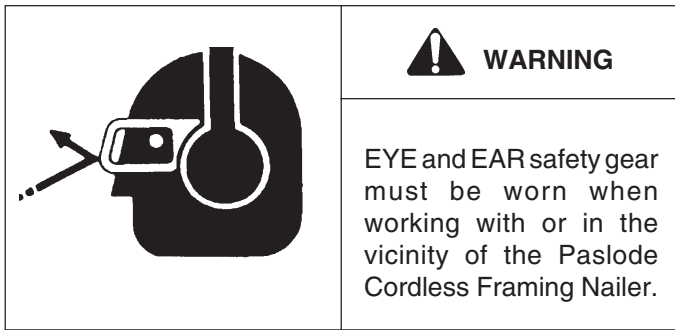
	<p>! WARNING</p> <p>The Paslode Cordless Framing Nailer is an internal combustion device. It produces hot exhaust gases that may ignite flammable materials. Never use the tool in a combustible environment or in the presence of combustible materials, such as flammable chemicals, adhesives, gasoline, or solvents.</p>
--	---

	<p>! WARNING</p> <p>This tool must be operated only in a well-ventilated environment, because the tool exhausts carbon monoxide similar to a gas chainsaw or lawnmower. Exposure to carbon monoxide from use in enclosed areas, may cause dizziness, nausea, or unconsciousness or death.</p>
---	---

	<p>! WARNING</p> <p>Never attempt to operate this tool until you have read and understood all safety precautions and manual instructions.</p> <p>Failure to follow all safety precautions instructions may result in a permanent loss of vision, serious personal or even fatal injury, property damage and/or tool damage.</p>
---	--

	<p>! WARNING</p> <p>ALWAYS keep the Cordless Framing Nailer, fuel cartridge, battery cell and battery charger out of the reach of children.</p>
--	---

Safety Instructions



1. Eye protection must meet the requirements of ANSI Standard Z87.1 and should have side shields for increased protection. As an employer you are responsible for enforcing the use of eye protection equipment by the tool operator and all personnel in the work area.
2. NEVER ASSUME THE TOOL IS EMPTY.
Never point the tool at yourself or anyone else.
3. NEVER ENGAGE IN "HORSEPLAY" WITH THE TOOL.
The Cordless Framing Nailer is not a toy – it is a tool. Careless and improper use may result in a serious accident.
4. NEVER CARRY THE TOOL WITH YOUR FINGER ON, OR SQUEEZING, THE TRIGGER.
This practice may result in the accidental discharge of a fastener.
5. NEVER OPERATE A MALFUNCTIONING TOOL.
Refer to the servicing or troubleshooting section of this manual to correct the problem. If the problem cannot be corrected, stop using the tool and report it to your supervisor or Paslode representative.
6. DO NOT LOAD FASTENERS WITH THE TRIGGER AND/OR WORK CONTACTING ELEMENT PRESSED IN. A fastener may be accidentally discharged.

7. NEVER OPERATE THE TOOL WITH THE WORK CONTACTING ELEMENT REMOVED OR DISABLED.

This device helps reduce the possibility of accidental fastener discharge by preventing the tool from operating until it is completely against the work surface.

NEVER operate the tool if the work contacting element is not working properly.

8. ALWAYS POINT THE TOOL AWAY FROM YOURSELF AND OTHERS WHEN CLEARING JAMS OR REMOVING FASTENERS. REMOVE THE FUEL CARTRIDGE AND BATTERY.

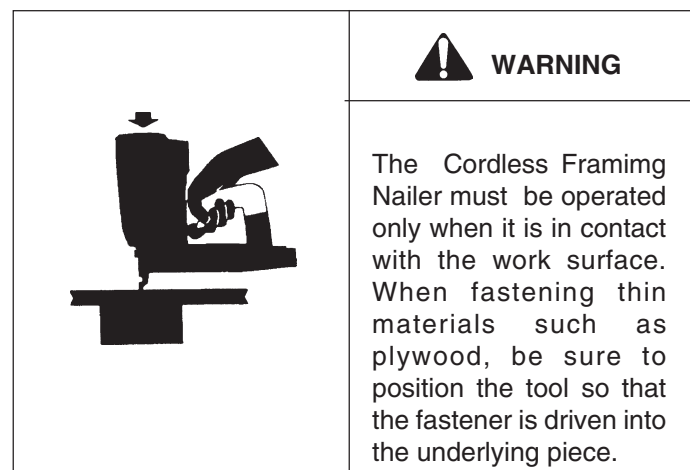
Pull the follower slightly back and push the release lever. Tip the tool nose up slightly and fasteners should slide out of the rear of the magazine. If fasteners are jammed, refer to the appropriate servicing section of this manual.

9. NEVER OPERATE THE CORDLESS FRAMING NAILER IF PARTS ARE LOOSE, DAMAGED OR MISSING.

10. NEVER DRIVE FASTENERS INTO KNOTS OR ON TOP OF OTHER FASTENERS.

A fastener may ricochet and cause serious injury.

11. OPERATE THE TOOL ONLY ON THE WORKPIECE.




Safety Instructions



12. NEVER DRIVE FASTENERS INTO AREAS WITH CONCEALED HAZARDS.

Always check the area behind the work surface for electrical wiring, gas pipes, water pipes, sewer drains or other potential hazards.



13. ALWAYS MAINTAIN SECURE AND UNOBSTRUCTED FOOTING WHEN ON LADDERS, PLATFORMS OR OTHER HIGH LOCATIONS.

	 WARNING
	<p>Never over-reach, since tool recoil may cause a loss of balance. Always be aware of edges and drop-offs when nailing on rooftops and other high locations. Keep them in full view.</p>

14. ALLOW ONLY QUALIFIED PERSONNEL TO OPERATE THE CORDLESS FRAMING NAILER.

	 WARNING
	<p>Only persons who have read and fully understand all tool operation, safety and maintenance instructions should be allowed to operate the tool.</p>

15. PROPERLY STORE FUEL CELL.

	 WARNING
	<p>Always store tool, fuel cartridge and battery where they will not be exposed to an open flame, sparks or temperatures above 120° F (49° C).</p>



16. ALWAYS STORE THE TOOL WITH THE FUEL CARTRIDGE AND BATTERY REMOVED.

Store the fuel cartridge in the case with the Cordless Framing Nailer.

17. KEEP THE TOOL CLEAN AND WELL MAINTAINED.

A clean tool is less likely to jam or malfunction.

18. KEEP YOUR HANDS CLEAR OF THE WORK AREA SURFACE.

	 WARNING
	<p>A fastener may exit at an angle unexpectedly and cause injury.</p>



Battery Disposal:

The Paslode Cordless batteries contain cadmium and must be recycled or disposed of properly. It is illegal in some areas to place a nickel-cadmium battery into the trash or solid waste stream. You may contact your local recycling center for information on where to return the spent battery or call 1-800-822-8837 for information on Ni-Cd battery recycling in your area.

Battery And Charging System

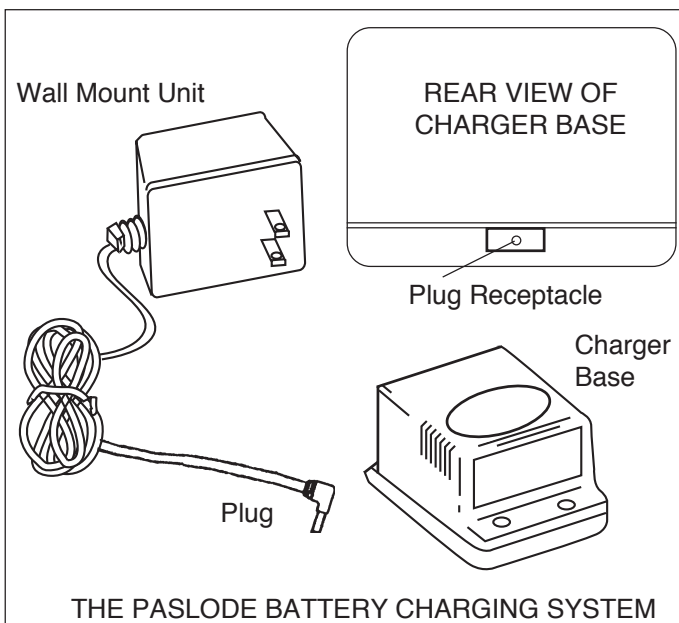
The Paslode Cordless tool comes with a rechargeable battery and its own charging system. This charging system is the **only one that will work with all Paslode batteries (round or oval)**. It will accept either the round or oval shaped batteries. The first step in preparing a new tool for operation is to fully charge the battery. **New batteries are shipped discharged and must be charged prior to first use.** Batteries will take 5 minutes to 2 hours (time will be dependant on the amount of discharge within the battery) to recharge.

Important Charging Notes

	 WARNING
	<p>CHEMICAL/EXPLOSION HAZARD</p> <p>Read ALL instructions before charging or using battery. Failure to follow ALL instructions may result in fire, severe burns, or release of toxic materials.</p>

Battery Disposal:

The Paslode batteries contain cadmium and must be recycled or disposed of properly. It is illegal in some areas to place a nickel-cadmium battery into the trash or solid waste stream. You may contact your local recycling center for information on where to return the spent battery or call 1-800-822-8837 for information on Ni-Cd battery recycling in your area.



Charging Instructions:

1. Remove wall mount unit with the orange label from the tool case and plug into a 120V AC outlet. Set orange charger on a stable surface and insert the wall mount unit's plug into the plug receptacle on the back of the charger (see picture). A green light indicates power is on and charging system is ready.
2. Remove the battery from tool or case and insert terminals down into charger. The red light will come on indicating that the battery is charging and the green light will go out.

NOTE
<p>If battery is completely discharged the red light and the green light may flash back and forth for up to 20 minutes. This safety feature slowly recharges the battery until it is ready to accept the full charging current. If the red and green lights continue to flash after 20 minutes, replace the battery.</p>

3. After charging, the red light will go out and the green light will come on, indicating that the battery is fully charged. The charger will keep the battery at full charge until it is removed.
4. Unplug the wall mount unit from the charger and remove the wall mount unit from the 120V AC outlet.

Charging Times:

First charge (new battery)	2 hours
Discharged Battery	5 minutes to 2 hours

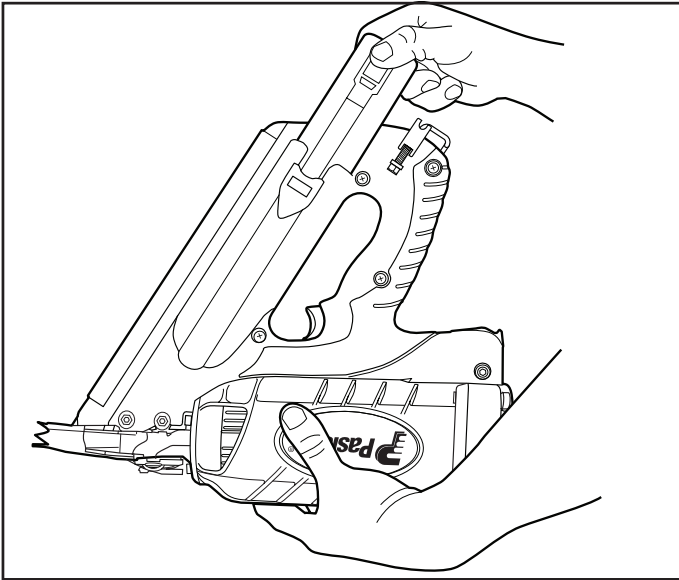
Charging Don'ts:

1. Never charge battery outdoors or in temperatures below 40°F (5°C).
2. Never allow metal objects to come in contact with battery terminals.
3. Never puncture or attempt to open battery case or cells.
4. Never store battery where it will be subjected to temperatures above 120°F (49°C).
5. Never incinerate battery.
6. Never use a defective battery charger, one that overheats and/or smokes when plugged in.
7. Never immerse the battery in water.

Charging System Accessories:

- Battery Charger Kit - Part No. 900200
- Wall Mount Transformer* - Part No. 900477
- Battery Charger Base* - Part No. 901230
- Automotive Adapter* - Part No. 900507

Battery and Charging System

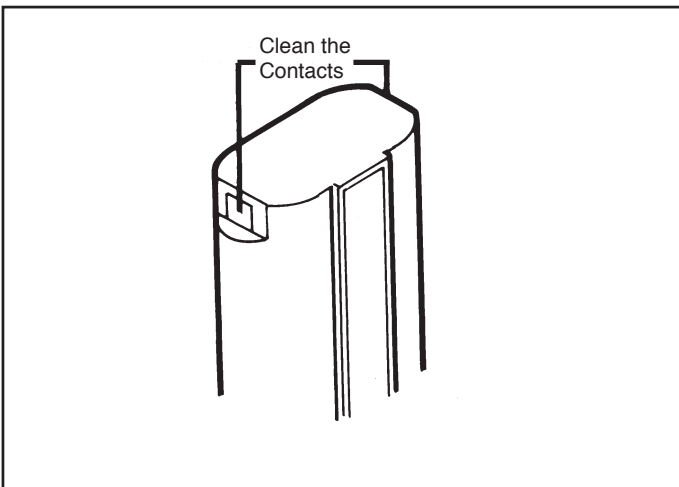


Inserting Battery

1. Load the battery, contacts first, into the Cordless Framing Nailer.
2. Push battery fully forward into its locked position.
3. To remove battery, push down on locking tab and slide battery out.

NOTE: If battery is left in tool for an extended period, the battery will discharge completely and will require recharging.

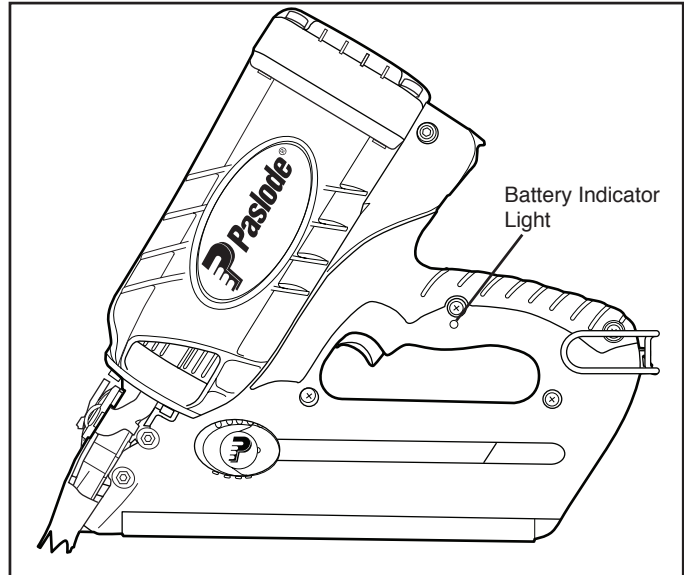
IMPORTANT: Should your battery terminals become corroded and cause poor electrical contact, clean the terminals using a cloth or pencil eraser.



Battery Indicator Light




The illustration is a close-up of the side of the Paslode Cordless framer handle. On the side of the handle is a small plastic lens. This is the battery indicator light.

When you insert a fully-charged battery into the tool, you will see a blinking green light. If the light blinks red, recharge the battery.



Quicklode™ Fuel Cartridge

Fuel Cartridge

	 WARNING
	EXPLOSION/FIRE HAZARD Read ALL safety instructions before using or handling the fuel cell. Failure to follow ALL instructions may result in explosion or fire. This may cause serious personal injuries or property damage.
	 Keep the fuel cartridge away from heat, sparks and open flame. Do not smoke when handling or operating tool or fuel cartridge.  Exposure to temperatures above 120°F (49°C) may cause the fuel cartridge to burst, releasing flammable gas.


There is a second container inside the fuel cartridge. The inner container holds the fuel. The space between the inner container and the outer cylinder is filled with a gas, called the propellant, which is under pressure.

To eject the fuel, propellant pressure squeezes the inner fuel container, much as you squeeze a tube of toothpaste. This squeezing action ensures that all the fuel is used, and that the Cordless Framing Nailer can operate in any position.

Because of this container-within-a-container design, you might hear the sound of fluid when shaking the fuel cell after all the fuel has been used. This is the propellant, which remains between the containers even after all the fuel has been expelled.

If you expose the empty fuel cartridge to extreme temperatures, the propellant gas will expand and could cause the container to burst, releasing flammable gases.

The fuel contains a small amount of oil to keep the tool lubricated during use. **It is not necessary to oil the tool during normal operation.** When cleaning the tool, use only Paslode Cordless tool oil. Using oils not formulated for the Paslode Cordless Tool, may cause loss of power and may damage the internal parts of the tool's motor.

 WARNING
Sunlight can raise the inside temperature of an unventilated motor vehicle or storage container to above 140°F (60°C).
Never puncture or attempt to open the fuel; it is nonrefillable.
Never incinerate, reclaim or recycle the fuel.
Never smoke while installing or operating the fuel cartridge or tool.
Never inhale the spray.
Keep out of the reach of children.
Store fuel cartridge(s) in well-ventilated areas only.

NOTE
<ol style="list-style-type: none">1. Never attempt to refill the cartridge! Replace with fresh fuel cartridge, and dispose of spent cartridge properly.2. Do not attempt to remove or reuse the fuel cartridge cap.3. When replacing fuel cartridge also clean or replace air filter for optimum tool operation.

NOTE: Altitude Restriction
Paslode Cordless tools are powered by an internal combustion engine and are effected by altitude. The tool may lose power or not cycle consistently at elevations of 4000 feet or greater.

Quicklode™ Fuel Cartridge



NOTE:

Paslode Cordless fuel cartridges are marked with a **best used by date** on the bottom of the can. For maximum performance use fuel before best used by date.



DANGER

Paslode Cordless Fuel Cartridges are flammable.
Do not smoke when installing the metering valve!

Paslode Cordless Fuel Cell/Cartridge Disposal Guidelines

Paslode the industry leader in cordless technology provides this information to assist users with the proper disposal of discarded fuel cells/cartridges. Acceptable disposal options vary depending on the type of fuel cell/cartridge users. All users must consider federal, state and local solid waste regulations to ensure that discarded fuel cells/cartridges are disposed of properly. Users must contact their local solid waste authority for further guidance.

Discarded fuel cells/cartridges (used or unused) may be considered hazardous waste under the Resource Conservation and Recovery Act (RCRA) depending on several factors as described in the paragraphs that follow. Upon disposal used and unused fuel cells/cartridges may be classified as ignitable hazardous waste (waste code D001) under U.S. EPA regulations.

Hazardous waste generated by homeowners and contractors who perform routine maintenance for homeowners in their homes are not regulated by RCRA. In general, "household wastes" generated by homeowners and their contractors are exempt from hazardous waste regulation because those wastes are expressly excluded from the definition of hazardous waste. For example US EPA has excluded as "household waste" aerosol cans that contain residual product and propellant. Thus under federal hazardous waste regulations homeowners and contractors may dispose of discarded fuel cells/cartridges as general refuse in a properly permitted municipal landfill. These users must still contact their local solid waste authority to determine if any state or local regulation prohibits or restricts such disposal.

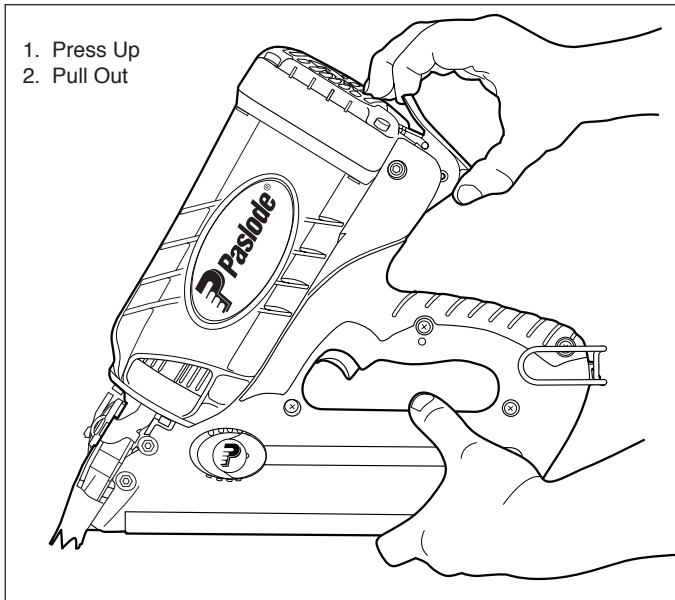
Paslode takes no responsibility for proper fuel cell/cartridge disposal. Proper disposal remains the responsibility of sellers and users. All sellers and users must contact their local solid waste authority to determine if any federal, state or local regulation prohibits or restricts disposal. Users may obtain more information about U.S. EPA hazardous waste regulations at the following internet address: www.epa.gov/epaoswee.osw/hazwaste.htm

Alternatively users may contact U.S. EPA's RCRA Superfund Call Center at 1-800-424-9346 to receive more information.

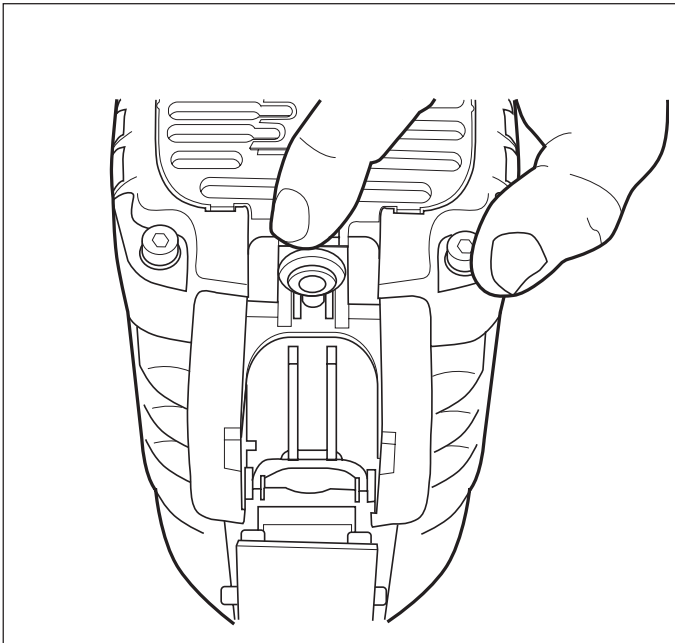
Quicklode™ Fuel Cartridge

Inserting Fuel Cartridge

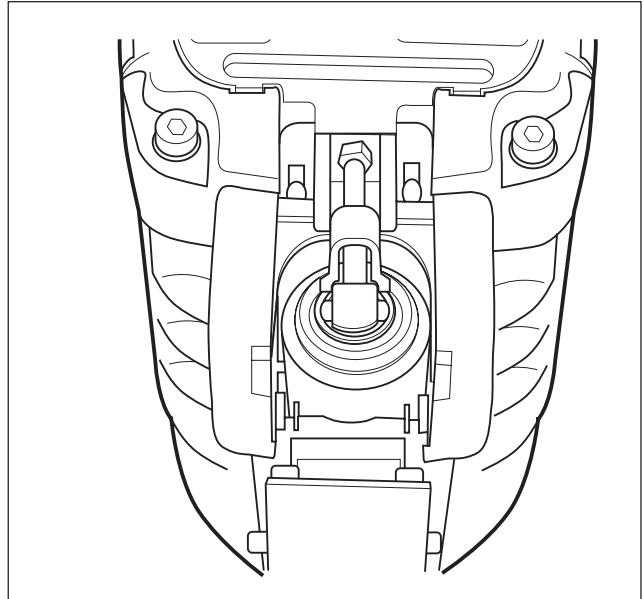
A. Inserting the fuel cartridge into the Cordless Framing Nailer is very simple. To begin, press up at the bottom of the actuator cover and pivot outward to open. The cover will swing out of the way.



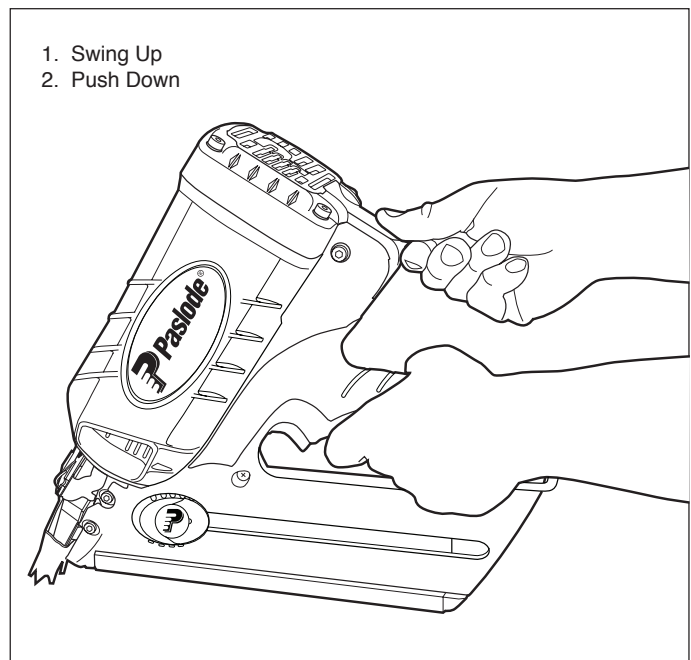
B. Lift the fuel cartridge adaptor and insert the Quicklode fuel cartridge into the tool.



C. Release the adaptor so it is centered on the fuel cartridge.



D. Close the actuator cover to complete the loading of fuel in the Cordless Framing Nailer. Do this by swinging it up and over the fuel cartridge, and pushing down until the actuator cover snaps into position.



Preparing the Paslode Cordless Framing Nailer for Use

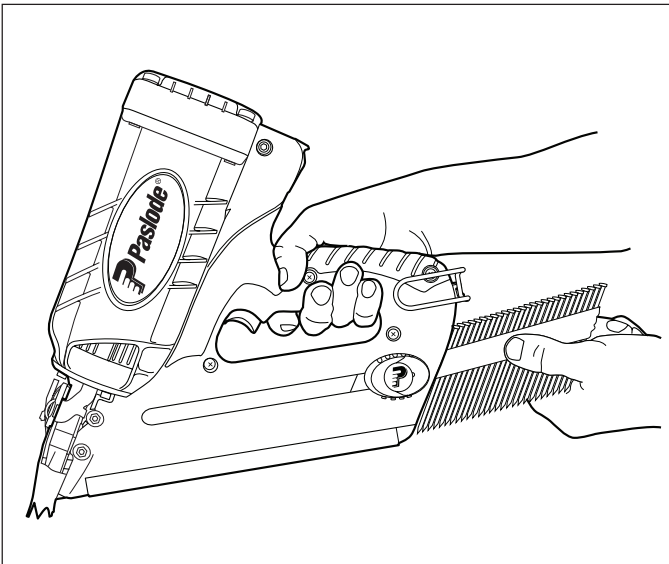
Fasteners

The Paslode Cordless Framing Nailer drives Paslode RounDrive® nails, which have been collated into strips. The use of nails that do not meet Paslode standards could cause tool damage and void your warranty. Paslode nail sizes and types are illustrated in the Fasteners and Applications section.

Loading Fasteners

STEP 1: To load, pull the follower handle back to the rear lock position (button will pop up).

STEP 2: Insert a strip of nails and release follower by pushing on button.



There is a reload indicator on follower and tool. A full strip can be loaded in this area as shown above.

Lockout Feature

The purpose of this feature is to prevent needless blank cycling, which could waste fuel and damage tool components. Five (5) nails will be left in the magazine when the follower reaches the lockout area. The indicator arrow shows that you can reload. It does not indicate that the Cordless Framing Nailer is empty. Because of a lockout feature in the Cordless Framing Nailer it will not operate when the nail supply in the tool is less than six (6) nails.

Paslode Cordless Framing Nailer and Outdoor Weather

Use the Cordless Framing Nailer outdoors, in clear weather, when the nailer, fuel cartridge, and battery are between 20°F (-7°C) and 120°F (49°C).

HOT WEATHER OPERATION

The Cordless Framing Nailer requires cooling of the motor assembly to operate properly. The fan normally provides the necessary air flow to permit continuous operation. Whenever the Cordless Framing Nailer is idle for extended periods, keep the fuel and tool out of direct sunlight and in surroundings where temperatures will not exceed 120°F (49°C). After extended periods of continuous use, it may be necessary to cool the motor by setting tool aside for 10-15 minutes or until the tool operates normally. An overheated tool may not drive nails completely or may operate erratically.

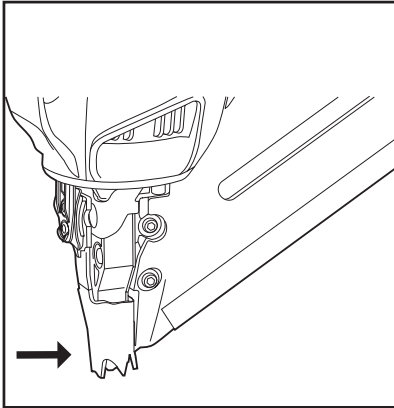
COLD WEATHER OPERATION

Fuel at cold temperatures lose the required propellant force. Bring the tool, battery, and fuel cartridge above minimum operating temperature without direct exposure to flame, and check the battery.



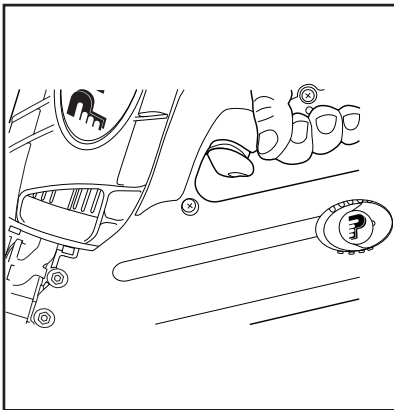
The Cordless Framing Nailer should not be used in the rain or where excessive moisture is present. The use of the Paslode Cordless Technology under these conditions may result in damage to tool components and cause tool to malfunction.

Paslode Cordless Framing Nailer Operation



PRESS WORK – CONTACTING ELEMENT AGAINST THE WORK SURFACE.

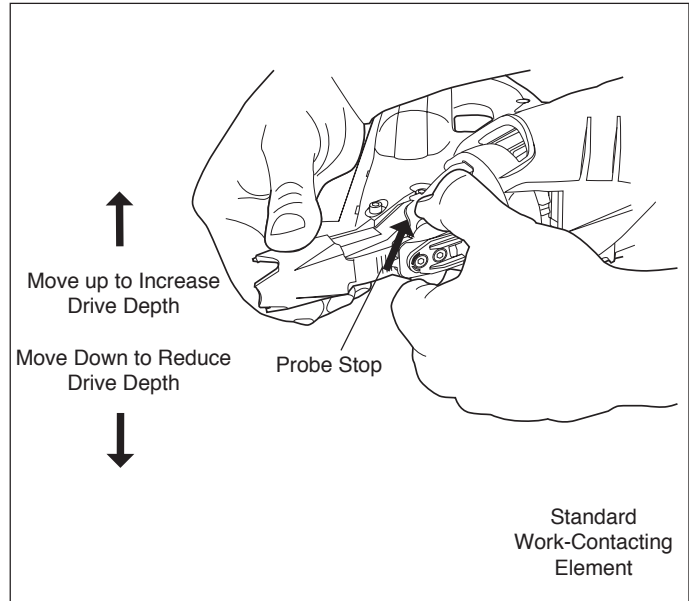
Fan motor starts, fuel is injected into combustion chamber and mixed with air by the fan.



SQUEEZE TRIGGER
Spark plug sparks and fuel/air mixture ignites. Combustion powers piston assembly driving fastener.

LIFT TOOL - RELEASE TRIGGER
Combustion chamber opens. Fan exhausts hot gases and cools internal components.

Note: The fan will run for approximately 10 seconds after the last nail is driven



Depth of Drive Adjustment

Remove the battery before adjusting the depth of drive.

The depth of drive adjustment is made by adjusting the work contacting element. Pulling the probe stop outward away from the tool will allow the work contacting element to be moved up or down.

If the tool is over-driving (the nail head is driven below the surface of the wood), the work contacting element should be moved down slightly. If the nails stand up (the head is not flush with the work surface), the work contacting element should be moved up slightly. The indicator marks are set at 1/10" increments with a total range of 1/2".

Adjust the work contacting element to get the nail head depth to meet job requirements.

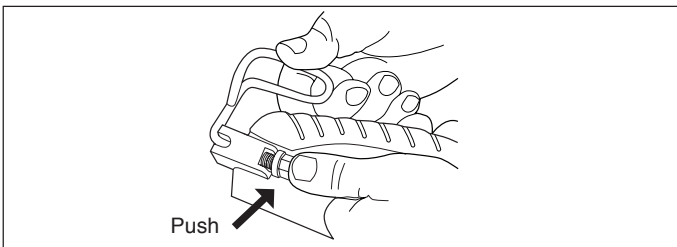
No-Mar Work-Contacting Element

For applications where the work-piece must be mark free, like in siding and recreational decks, order the No-Mar Work-Contacting Element, [Part No. 901252](#)



DANGER

The work contacting element and nose will become hot after prolonged or rapid use. If it becomes necessary to adjust the work contacting element, avoid touching with bare hands.



Adjustable Utility Hook

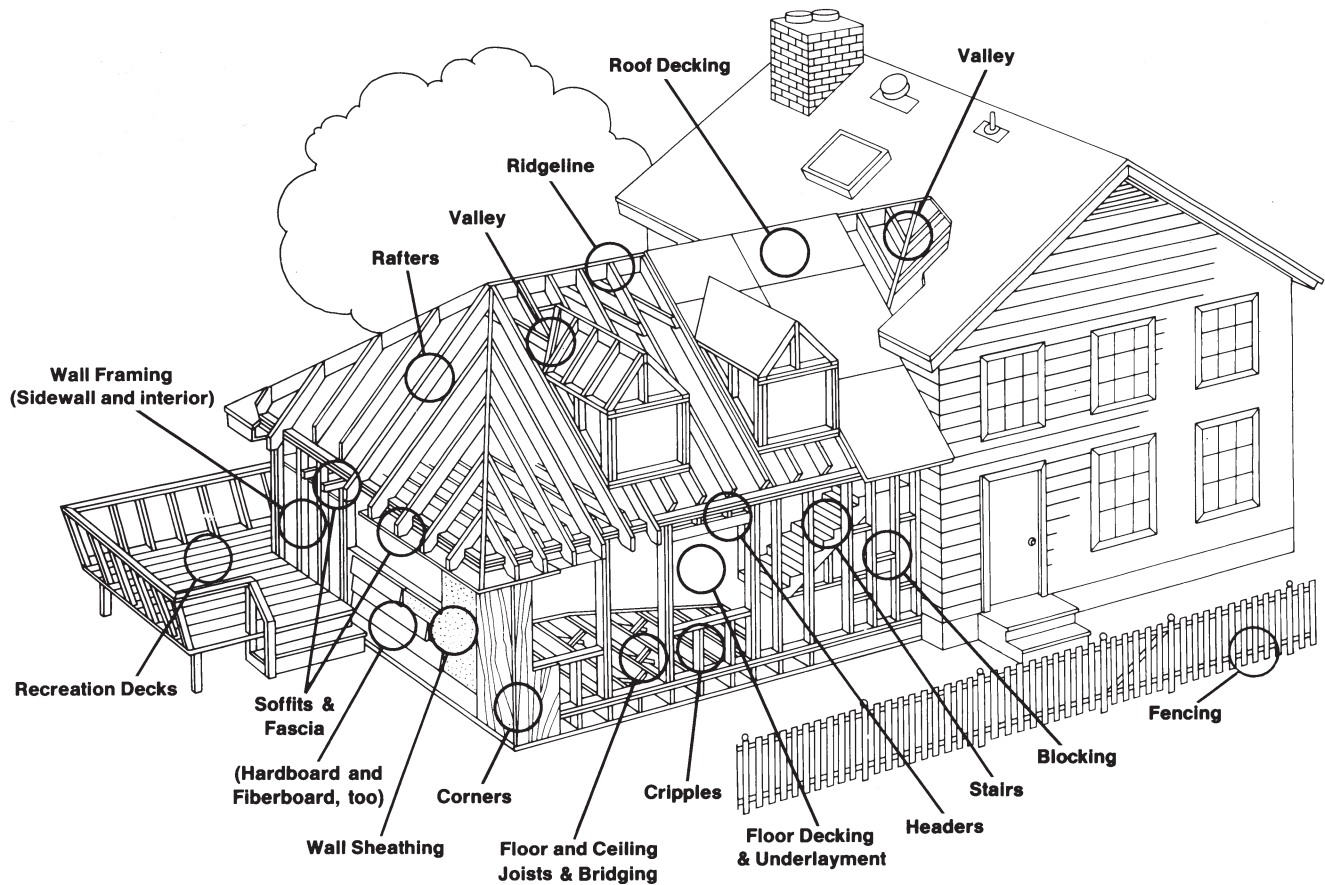
The adjustable utility hook can be used as a belt or rafter hook. To adjust the utility hook, push the black button in the direction of the arrow and rotate it to the desired position.



DANGER

Never attempt to operate the Cordless Framing Nailer unless both adjustment screws are installed. Intentional removal of an adjustment screw could result in improper tool operation, loss of nail control and injury to tool user or bystanders.

Fasteners and Applications



SIZE	TYPE	APPLICATION
2" x .113 (6D)	Common Ring Shank	Underlayment, wall sheathing, roof and floor decking, siding
2" x .113 (6D)	Common ring shank, hot-dipped galvanized plus	Fencing, siding
2-3/8" x .113 (8D)	Cooler ring shank	Roof & floor decking, underlayment, sheathing
2-3/4" x .113 (8D)	Coated ring shank, hot-dipped galvanized plus	Recreational decking, siding, fencing
3" x .120 (10D)	Coated nail	Remodeling
3" x .120 (10D)	Ring shank, hot-dipped galvanized plus	Fencing, recreational decking, siding, tile roofs
3" x .131 (10D)	Coated nail	Framing
3-1/4" x .131 (12D)	Coated nail	Framing

Smooth Shank - For general construction, carpentry and framing; the most popular and versatile.

Ring Shank - The ring shank provides improved withdrawal resistance for applications where the resistance from smooth shank fasteners is not adequate: floor decking, crating, pallets.

Hardened Steel - For attaching wooden plates to green concrete foundations; 2X furring strips to cinder block.

Hot Dipped Galvanized Plus - These nails are hot dipped with a baked on polymer coating. They offer the highest corrosion resistance of any galvanized nail. These nails should be used where higher corrosion resistance is required to retard rust and rust staining. Recommended for use in natural wood siding, such as cedar, redwood, cypress and preservative treated lumber. (Not for use in all-weather wood foundations.)

The Paslode Cordless Framing Nailer is not recommended for use with 3" Ring Shank nails in pressure treated lumber.

Servicing

Restrict Field Service to the Following

- CHECKING THE ENERGY LEVEL OF THE BATTERY
- RECHARGING THE BATTERY
- CHECKING THE FUEL CARTRIDGE
- REPLACING THE FUEL CARTRIDGE
- CLEANING THE AIR FILTER
- CLEARING A JAM

Attempts to go beyond these procedures could result in serious personal injury or damage to the Cordless Framing Nailer and voiding the warranty.

There are certain problems you may encounter when you are using the Cordless Framing Nailer that you will be able to correct on the work site. The following field service procedures are the only service procedures you should attempt. Anything else that may appear wrong with the Cordless Framing Nailer should only be diagnosed and repaired by a fully trained service technician. If you have any reason to believe that your problem is beyond the service procedures in this manual, contact your Paslode representative immediately.



DANGER

Never attempt any maintenance of the Paslode Cordless Framing Nailer without first removing the fuel cartridge and battery. Maintenance should be started only after the tool is **completely** inoperative.

Battery Check

Periodically check the battery indicator light in the handle of the Cordless Framing Nailer. When encountering a problem, the first step should always be to make sure the battery has enough energy to operate the tool.

When the work contacting element is pressed on work piece, the fan motor will turn on and blinking green light will turn solid green. If the light blinks red or glows red, recharge battery.

Fuel Cartridge Check

If the Cordless Framing Nailer's fan operates and the light is green, but the tool will not cycle or does not drive fasteners completely, check the fuel cartridge. With the fuel cartridge out of the tool, check to see if the cartridge still contains fuel. To determine if there is any fuel left in the fuel cartridge, hold in the upright position and simply place against a solid object, and gently push about three or four times. A small amount of fuel should be released each time.



DANGER

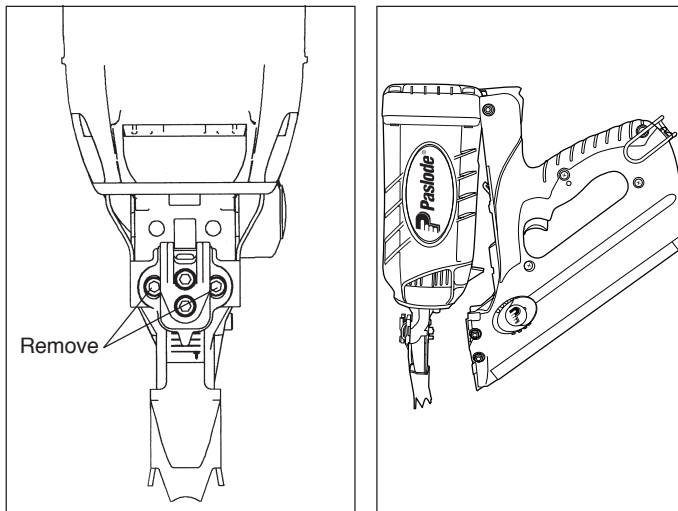
Wear safety glasses when performing this test. Never perform this test near an open flame or sparks, while smoking, or where the fuel may get into your eyes.

If fuel is not released with each operating of the cartridge cap, this indicates that there is no more fuel left in the cylinder and it must be replaced. Dispose of the empty fuel cartridge properly.

Clearing a Jam

An occasional problem you may encounter is a jammed fastener. Because of the unique design of the Cordless Framing Nailer, clearing a jammed fastener is easy:

1. Remove the fuel cartridge and battery.
2. Lock follower back in magazine and remove fasteners.
3. Loosen the (2) magazine mounting screws with the 5/32 hex key.
4. Pull handle/magazine away from the nose of the tool and clear jam.
5. Realign handle magazine to nose, and tighten mounting screws.
6. Reload fasteners and release follower.



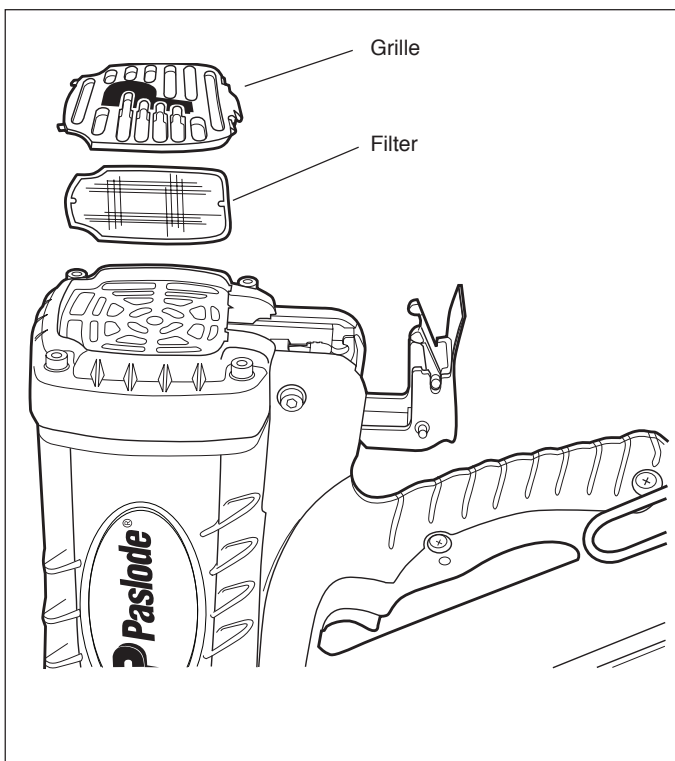
! WARNING

Make certain magazine mounting screws are tight and magazine is tight to nose. Attempting to fire tool with a loose magazine will result in loss of nail control, damage to tool, or nail discharge toward operator.

Air Filter

Open the grille by pressing slightly above the adapter, and pivoting the cover open. The air filter simply lifts out.

Tap the filter GENTLY to remove any dust. Check and clean the air filter every two days. Soap and water restores the filter to a "like new" condition.



End-of-Workday Routine

At the end of each workday, conduct an end-of-workday routine. These simple steps are based on maintaining the safety and operational efficiency of the Paslode Cordless Framing Nailer.

Before you leave the work site:

1. Remove battery and store in tool case. Always use the Cordless Framing Nailer case for transporting and storing the tool.
2. Dispose of all empty fuel cartridges. Remember to dispose of these cartridges where they will not be found by children, crushed, punctured, or burned.

When you get home:

1. Place the battery in its charger if it needs charging as indicated by the red charge light on the handle.
2. Wipe your Cordless Framing Nailer with a clean, soft cloth.
3. Remove and clean the filter every two days.

Tool Cleaning and Oiling

Periodic cleaning and oiling are necessary to keep the Paslode Cordless Nailer operating properly. The tool should be cleaned and lubricated at least every 50,000 cycles. This number may vary depending upon the rate at which the tool is used and the operating conditions it is used in. The chart in the cleaning instructions will help you determine how often the tool should be cleaned.

Cordless Framing Nailer Paslode Cordless Tool Accessories

A variety of accessories are available for the Paslode Cordless Framing Nailer:

No-Mar Work Contacting Element - Part No. 901252

Battery - Part No. 404717

Clear Safety Glasses - Part No. 402510

Paslode Lubricating Oil - Part No. 401482

Battery Charger Kit - Part No. 900200

Wall Mount Transformer - Part No. 900477

Battery Charger Base - Part No. 901230

Paslode Cordless Framing Nailer Case - Part No. 404710

Automotive Adapter - Part No. 900507

Contact your Paslode® representative for additional information.

Tools

A 5/32 Hex Socket Wrench (Part No. 401331) is provided with each Paslode Cordless framer.

Troubleshooting

Preparing Tool for Operation - Battery/Charger Problems

SYMPTOM	POSSIBLE PROBLEMS	SERVICE
Battery does not appear to accept charge when the battery and charger are plugged into the wall mount adapter.	Inoperative indicator lights on charger, or defective charger.	Try battery in tool after a full charge cycle. If tool LED is green, charger is not working properly. Replace charger, or monitor charging time to ensure battery has adequate time for recharging. It is normal for battery to feel warm after properly charging.
Battery charger flashes red/green for more than 20 minutes.	Defective battery.	
	Battery damaged or cycle life exhausted.	Replace battery.
Charger gets hot, makes excessively loud noise, or smokes during charging cycle. Charger cord or wall plug gets hot.	Damaged charger.	Discontinue use immediately and unplug from power source. Replace charger and tag or dispose of charger to prevent accidental reuse or connection to power source.

Normal Stage of Operation

SYMPTOM	POSSIBLE PROBLEMS	SERVICE
Fan does not run - tool indicator light is blinking red or solid red.	Battery is not charged.	Charge battery.
	Battery terminals are oily, dirty, or corroded.	Clean battery terminals with cloth or pencil eraser.
Fan does not run, or runs slower than normal - tool indicator light is solid red.	Battery is discharged.	Charge battery.
Work-contacting element does not depress fully - tool does not operate.	Four (4) or less nails in tool.	Load strip of nails.
	Lockout bracket is stuck in lockout position.	Check lockout. If unable to free return tool to authorized Paslode dealer for service.
	Work-contacting element is bent, worn or at the deepest setting. Follower is not behind fasteners.	Remove and inspect lower probe. Clean, adjust or replace lower probe as required. Position follower behind fasteners.
Tool will not cycle - fan runs, indicator light is solid green.	Fuel Cartridge empty.	Replace fuel cartridge.
	Spark wire out of spark plug.	Remove cap and check spark lead, insert in spark plug and replace cover.
	Spark plug is dirty.	Clean tool cylinder head and spark plug.
	No spark is generated.	Return tool to authorized Paslode® dealer for service.

Normal Stage of Operation

SYMPTOM	POSSIBLE PROBLEMS	SERVICE
Tool operates properly, but fasteners do not drive fully.	Work-contacting element requires adjustment.	Adjust work contacting element.
	Dirty air filter.	Clean filter.
	There may be loss of seal in combustion chamber.	Press work contacting element against workpiece for 20 seconds. Pull trigger. If fastener does not drive, there is a leak that requires service.
Tool operates, but no fastener is driven.	Wrong fasteners being used.	Use only fasteners meeting Paslode® specifications. Check Fasteners and Applications section for fastener types and sizes recommended for use in Cordless tool.
	Tool requires cleaning.	Clean per instructions.
	Follower not properly engaged behind fastener strip.	Position follower behind fastener strip and engage strip.
	Jammed fastener.	Clear jam.
Tool operates erratically or appears to be losing power - tool indicator light is green.	Spark plug wire is loose.	Check spark plug wire.
	Filter element is dirty, causing tool to overheat.	Remove filter element and clean. Use soap and water to remove stubborn debris.
Tool operated and drove fasteners, but driver blade did not return to up position.	Built-up dirt and debris on driver blade or in nose bore.	Clean driver blade and nose bore with degreaser cleaner.
	Mid check is dirty or disabled.	Return tool to authorized Paslode® Cordless dealer for service.
Combustion chamber does not drop after tool cycles.	Work-contacting element is bent or is dirty.	Clean or replace work-contacting element.

If tool will not operate after following the above service directions, return the tool to an authorized Paslode.® representative for service.

For the nearest Paslode® representative call 1-800-682-3428.

For factory direct service call 1-800-447-3830.

For Technical support call 1-800-222-6990 or visit our web site at www.paslode.com.

To purchase parts, visit our website at www.itwconstructionparts.com

